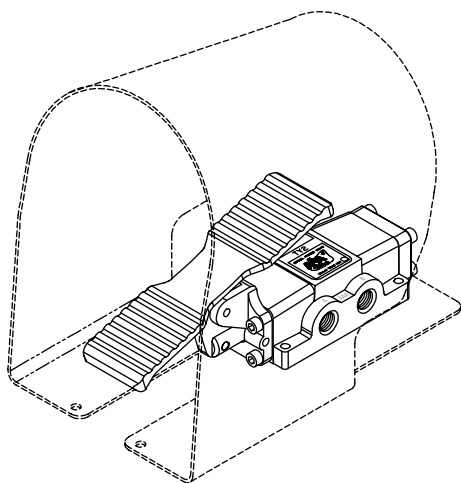
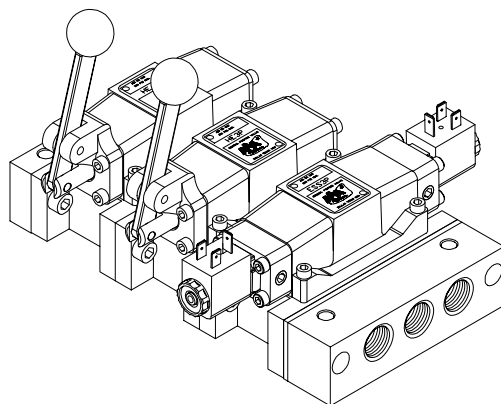


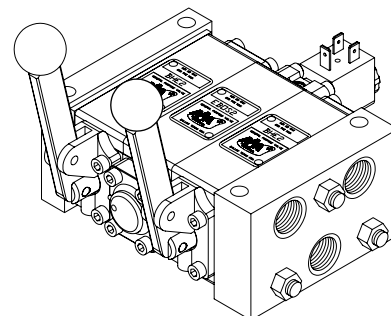
AAA Products International Also Manufactures Control Valves for your Pneumatic Needs



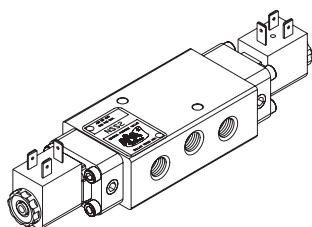
Foot Operated Valves



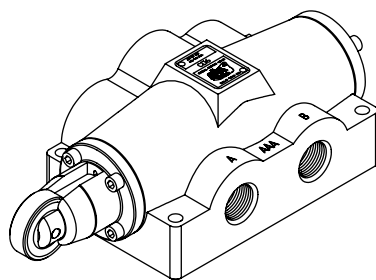
Manifold Style Valves



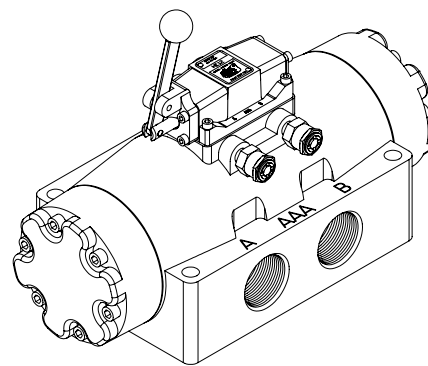
Stacking Valves



Small Valves



Medium Valves



Large Valves

- Spool Type Directional Valves
- Single and Stack Valves
- All Popular Actuators
- 1/4" Through 2" Sizes
- 250 PSI Air Service

Example of a Few of Our Valves

Over 250 Customer Specials

Soft Seal 4-Way Air Valves

Soft seal valves will operate on vacuum, inert gas, or compressed air. Solenoid models are the pilot operated type, and operate from 50 to 150 PSI, but will cover higher pressure ranges if a suitable source of external pilot air is used.

O-Ring seals between all ports give leaktight operations. Viton rings are used on 1/4" and 3/8" valves, buna-N on larger sizes. Bodies, end caps, and spools are aluminum; springs are stainless or music wire.

All valves are built with dual exhaust ports. Any valve port may be plugged or pressurized for 2-way, 3-way, or 5-way service. One secret to the superior performance is the large spool end area which is 25 to 50% larger than competi-

tive valves. The double taper of the flow grooves on the spool allows more accurate throttling on manually controlled valves.

Seals are standard O-Rings. If a valve should ever need repacking, seals are available almost every where, and replacement is quick and easy.

Closed center spools are standard on all 3-position valves. Alternate spool configurations are available.

Solenoid models use a "DIN 43650" style with 11 mm "Industrial Form B" connector pin pattern, most common voltages are immediately available. Other voltages and coil styles available. Consult factory or distributor for options.