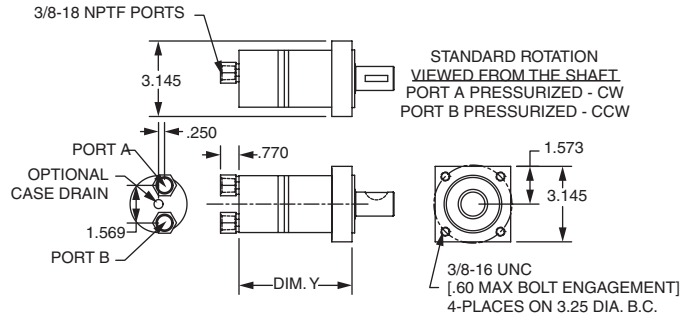


M-Series Hydraulic Motors



| Model Number | Displ. in. ³ /rev | Dim. Y |
|--------------|------------------------------|--------|
| M0 | .50 | 4.09 |
| M1 | .79 | 4.21 |
| M2 | 1.21 | 4.38 |
| M3 | 1.93 | 4.68 |

Motor dimensions based on model number.

Recommended Fluids: Premium quality, anti-wear type hydraulic oil. Minimum oil viscosity (at operating temperature) should be greater than 70 SUS.

Recommended Maximum System Operating Temp.: -30°F to 180°F

For best motor life, run motor for approximately one hour at 30% of rated pressure before application to full load. Be sure motor is filled with fluid prior to any load applications.

Motor Options

Option MQM: Basic *M-Series* motor ordered with Quick-Change option. This options does **not** include the spindle sleeve. Order a 0.50 cu. in./rev as B0-MQM.

Option MQD: Basic *M-Series* motor ordered with Quick-Change option and spindle sleeve for use with a *Jiffy-Drill*. This option is available only on original factory order. Order a 0.50 cu. in./rev as B0-MQD.

Option MQT: Basic *M-Series* motor ordered with Quick-Change option and spindle sleeve for use with a *Jiffy-Tap*. This option is available only on original factory order. Order a 0.50 cu. in./rev as B0-MQT.

Motor Repair Kit

RKMM: Includes seals and instructions for replacing worn out or broken seals for all sizes of *M-Series* motors.

Note: Motors are sold with adapter plate and shaft adapter for replacement of any drive style.

The information listed is in the following format: $\frac{[Torque(in-lbs)]}{Rpm}$

M-0 (.50 in.³/rev)

| | | PSI (lbs./in. ²) | | | | | | | | |
|----------------------|-------------|------------------------------|--------------|--------------|--------------|--------------|--------------|---------------|---------------|---------------|
| | | 200 | 400 | 500 | 600 | 700 | 800 | 1000 | 1500 | 2000 |
| Flow GPM (gal./min.) | 1 | [11] 456 | [25] 444 | [33] 437 | [40] 429 | [47] 422 | [55] 412 | [69] 394 | [102] 332 | [130] 250 |
| | 2 | [9] 897 | [24] 886 | [31] 877 | [38] 867 | [46] 860 | [53] 847 | [68] 823 | [105] 749 | [139] 657 |
| 3 | [6] 1349 | [20] 1331 | [28] 1318 | [35] 1309 | [44] 1296 | [51] 1285 | [65] 1261 | [102] 1176 | [137] 1070 | |
| | 4.5 | 0 0 | [16] 1902 | [23] 1885 | [30] 1873 | [36] 1858 | [44] 1846 | [60] 1817 | [97] 1721 | [131] 1684 |

M-2 (1.21 in.³/rev)

| | | PSI (lbs./in. ²) | | | | | | | | |
|----------------------|-------------|------------------------------|--------------|--------------|--------------|---------------|---------------|--------------|--------------|--------------|
| | | 200 | 400 | 500 | 600 | 700 | 800 | 1000 | 1500 | 2000 |
| Flow GPM (gal./min.) | 1 | [32] 189 | [67] 187 | [85] 186 | [102] 185 | [119] 183 | [136] 182 | [170] 179 | [253] 169 | [321] 141 |
| | 2 | [30] 379 | [65] 375 | [83] 373 | [101] 370 | [119] 368 | [136] 366 | [172] 361 | [257] 347 | [328] 312 |
| 3 | [21] 569 | [57] 565 | [75] 563 | [93] 560 | [111] 558 | [128] 556 | [163] 551 | [248] 523 | [325] 487 | |
| | 4 | [12] 761 | [47] 758 | [65] 754 | [83] 751 | [101] 749 | [119] 746 | [154] 741 | [239] 707 | [316] 660 |
| 5.5 | 0 0 | [31] 1043 | [49] 1040 | [67] 1035 | [84] 1033 | [101] 1028 | [137] 1021 | [218] 990 | [295] 938 | |

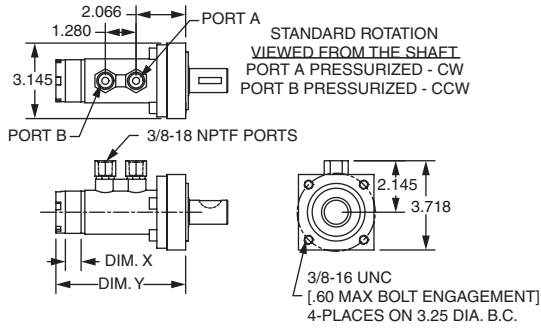
M-1 (.79 in.³/rev)

| | | PSI (lbs./in. ²) | | | | | | | | |
|----------------------|-------------|------------------------------|--------------|--------------|--------------|--------------|--------------|---------------|---------------|--------------|
| | | 200 | 400 | 500 | 600 | 700 | 800 | 1000 | 1500 | 2000 |
| Flow GPM (gal./min.) | 1 | [19] 290 | [43] 285 | [54] 281 | [65] 277 | [76] 273 | [88] 268 | [109] 260 | [164] 230 | [214] 194 |
| | 2 | [16] 573 | [39] 566 | [51] 561 | [63] 555 | [74] 549 | [86] 544 | [109] 534 | [165] 490 | [221] 442 |
| 3 | [11] 859 | [35] 849 | [47] 843 | [58] 838 | [70] 832 | [82] 825 | [105] 810 | [163] 763 | [219] 708 | |
| | 4 | [6] 1153 | [30] 1140 | [41] 1135 | [53] 1129 | [64] 1124 | [76] 1117 | [99] 1101 | [157] 1044 | [214] 982 |
| 5.5 | 0 0 | [19] 1575 | [30] 1566 | [42] 1556 | [54] 1547 | [65] 1539 | [89] 1521 | [148] 1457 | [205] 1396 | |

M-3 (1.93 in.³/rev)

| | | PSI (lbs./in. ²) | | | | | | | | |
|----------------------|-------------|------------------------------|--------------|--------------|--------------|--------------|--------------|--------------|--------------|--------------|
| | | 200 | 400 | 500 | 600 | 700 | 800 | 1000 | 1500 | 1750 |
| Flow GPM (gal./min.) | 1 | [51] 118 | [106] 116 | [133] 115 | [160] 113 | [187] 112 | [213] 111 | [265] 107 | [383] 81 | [439] 70 |
| | 2 | [46] 236 | [103] 234 | [132] 232 | [159] 230 | [187] 228 | [214] 225 | [269] 221 | [387] 175 | [446] 165 |
| 3 | [36] 355 | [94] 352 | [122] 349 | [149] 347 | [177] 345 | [205] 342 | [259] 336 | [377] 287 | [440] 273 | |
| | 4 | [24] 474 | [79] 472 | [107] 469 | [135] 466 | [162] 462 | [190] 460 | [246] 452 | [362] 393 | [425] 373 |
| 5.5 | 0 0 | [55] 650 | [83] 647 | [111] 645 | [139] 640 | [167] 636 | [221] 629 | [334] 575 | [400] 550 | |

A-Series Hydraulic Motors



| Model Number | Displ. in. ³ /rev | Dim. X | Dim. Y |
|--------------|------------------------------|--------|---------|
| A1 | .82 | .25 | 5-13/32 |
| A2 | 1.16 | .375 | 5-13/32 |
| A3 | 1.53 | .50 | 5-13/32 |
| A4 | 1.88 | .625 | 5-17/32 |

Table 1: Dimensions based on model number.

Recommended Fluids: Premium quality, anti-wear type hydraulic oil. 100 SUS AT 100°F

Recommended Maximum System Operating Temp.: 130°F

Standard Seals: Motors come with T-84 jacketed teflon seals as a standard. Optional 301 stainless metal seals available.

For best motor life, run motor for approximately one hour at 30% of rated pressure before application to full load. Be sure motor is filled with fluid prior to any load applications.

Motor Options

Option MQM: Basic *A-Series* motor ordered with Quick-Change option. This options does **not** include the spindle sleeve.

Option MQD: Basic *A-Series* motor ordered with Quick-Change option for use with a *Jiffy-Drill*. This option is available only on original factory order.

Option MQT: Basic *A-Series* motor ordered with Quick-Change option for use with a *Jiffy-Tap*. This option is available only on original factory order.

Motor Repair Kit

RKMA: Includes seals and instructions for replacing worn out or broken seals for all sizes of *A-Series* motors.

Note: Motors are sold with adapter plate and shaft adapter for replacement of any drive style.

The information listed is in the following format: $\frac{[Torque(in-lbs)]}{Rpm}$

A-1 (.82 in.³/rev)

| | | PSI (lbs./in. ²) | | | | | | | |
|----------------------|--------------|------------------------------|--------------|--------------|---------------|---------------|---------------|---------------|--------------|
| | | 200 | 400 | 600 | 800 | 1000 | 1200 | 1400 | 1500 |
| Flow GPM (gal./min.) | 1 | [17] 298 | [37] 265 | [58] 233 | [78] 200 | [98] 168 | [119] 135 | [139] 103 | [149] 86 |
| | 2 | [14] 580 | [34] 547 | [54] 515 | [75] 482 | [95] 450 | [116] 417 | [136] 385 | [146] 368 |
| 3 | [11] 862 | [31] 829 | [51] 797 | [72] 764 | [92] 732 | [113] 699 | [133] 667 | [143] 650 | |
| | 4 | [8] 1144 | [28] 1111 | [48] 1079 | [69] 1046 | [89] 1014 | [110] 981 | [130] 948 | [140] 932 |
| 6 | [22] 1675 | [42] 1642 | [63] 1610 | [83] 1577 | [104] 1545 | [124] 1512 | [134] 1496 | | |
| | 8 | [16] 2239 | [36] 2206 | [57] 2174 | [77] 2141 | [97] 2109 | [118] 2076 | [128] 2060 | |

A-3 (1.53 in.³/rev)

| | | PSI (lbs./in. ²) | | | | | | | |
|----------------------|-------------|------------------------------|--------------|---------------|---------------|---------------|---------------|---------------|--------------|
| | | 200 | 400 | 600 | 800 | 1000 | 1200 | 1400 | 1500 |
| Flow GPM (gal./min.) | 1 | [37] 153 | [75] 146 | [113] 140 | [151] 133 | [189] 126 | [227] 118 | [265] 111 | [284] 107 |
| | 2 | [34] 302 | [71] 296 | [109] 289 | [147] 282 | [185] 275 | [224] 267 | [262] 260 | [281] 256 |
| 3 | [29] 453 | [67] 446 | [105] 439 | [143] 432 | [181] 425 | [220] 418 | [258] 410 | [277] 406 | |
| | 4 | [24] 605 | [62] 598 | [100] 591 | [138] 584 | [177] 577 | [215] 569 | [253] 562 | [272] 558 |
| 6 | [12] 902 | [50] 900 | [88] 895 | [127] 890 | [165] 884 | [203] 877 | [242] 869 | [261] 865 | |
| | 8 | [35] 1205 | [74] 1203 | [112] 1200 | [150] 1196 | [188] 1189 | [227] 1182 | [246] 1178 | |

A-2 (1.16 in.³/rev)

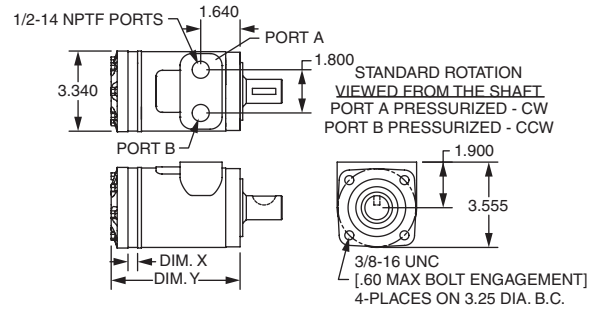
| | | PSI (lbs./in. ²) | | | | | | | |
|----------------------|--------------|------------------------------|--------------|---------------|---------------|---------------|---------------|---------------|--------------|
| | | 200 | 400 | 600 | 800 | 1000 | 1200 | 1400 | 1500 |
| Flow GPM (gal./min.) | 1 | [29] 201 | [59] 183 | [88] 164 | [118] 146 | [148] 127 | [178] 109 | [207] 90 | [222] 81 |
| | 2 | [24] 401 | [53] 383 | [83] 364 | [113] 346 | [143] 327 | [172] 309 | [202] 290 | [217] 281 |
| 3 | [18] 601 | [48] 583 | [78] 564 | [108] 546 | [137] 527 | [167] 509 | [197] 490 | [212] 481 | |
| | 4 | [13] 801 | [43] 783 | [73] 764 | [102] 746 | [132] 727 | [162] 709 | [192] 690 | [206] 681 |
| 6 | [32] 1183 | [62] 1164 | [92] 1146 | [122] 1127 | [151] 1109 | [181] 1091 | [196] 1081 | | |
| | 8 | [22] 1583 | [52] 1564 | [81] 1546 | [111] 1528 | [141] 1509 | [170] 1491 | [185] 1481 | |

A-4 (1.88 in.³/rev)

| | | PSI (lbs./in. ²) | | | | | | | |
|----------------------|-------------|------------------------------|--------------|--------------|--------------|--------------|--------------|--------------|--------------|
| | | 200 | 400 | 600 | 800 | 1000 | 1200 | 1400 | 1500 |
| Flow GPM (gal./min.) | 1 | [50] 117 | [98] 110 | [146] 100 | [195] 88 | [243] 73 | [291] 54 | [339] 34 | [363] 22 |
| | 2 | [46] 233 | [95] 227 | [143] 217 | [191] 204 | [239] 188 | [287] 170 | [335] 149 | [360] 137 |
| 3 | [42] 352 | [90] 345 | [138] 335 | [187] 322 | [235] 306 | [283] 288 | [332] 266 | [356] 254 | |
| | 4 | [36] 474 | [84] 467 | [133] 456 | [181] 443 | [230] 427 | [278] 408 | [327] 386 | [351] 374 |
| 6 | [22] 724 | [70] 717 | [119] 706 | [168] 692 | [216] 675 | [265] 655 | [314] 632 | [338] 620 | |
| | 8 | [52] 978 | [101] 967 | [150] 952 | [199] 935 | [248] 914 | [297] 890 | [321] 877 | |

B-Series Hydraulic Motors

The B-Series hydraulic motors are economical, efficient, small, compact, and powerful, designed for medium duty applications. These motors have the industry proven spool valve design combined with state-of-the-art gerotors. In addition, direction of shaft rotation and shaft speed can be controlled easily and smoothly throughout the speed range of the motor.



| Model Number | Displ. in. ³ /rev | Dim. X | Dim. Y |
|--------------|------------------------------|--------|--------|
| B0 | 2.2 | 0.25 | 5.22 |
| B1 | 2.8 | 0.25 | 5.22 |
| B1.5 | 3.6 | 0.40 | 5.37 |
| B2 | 4.5 | 0.40 | 5.37 |
| B3 | 5.9 | 0.52 | 5.49 |
| B3.3 | 7.3 | 0.65 | 5.62 |
| B3.6 | 8.9 | 0.79 | 5.76 |

| Model Number | Displ. in. ³ /rev | Dim. X | Dim. Y |
|--------------|------------------------------|--------|--------|
| B4 | 9.7 | 0.86 | 5.84 |
| B5 | 11.3 | 1.00 | 5.97 |
| B6 | 14.1 | 1.25 | 6.22 |
| B7 | 17.9 | 1.59 | 6.56 |
| B8 | 22.6 | 2.00 | 6.97 |

Table 1: Motor dimensions based on model number.

Recommended Fluids: Premium quality, anti-wear type hydraulic oil. Minimum oil viscosity (at operating temperature) should be the highest of the following: 100 SUS or $\frac{20 \times PSI}{RPM} = SUS$

Recommended Maximum System Operating Temp.: -30°F to 180°F

For best motor life, run motor for approximately one hour at 30% of rated pressure before application to full load. Be sure motor is filled with fluid prior to any load applications.

Motor Options

Option MQM: Basic *B-Series* motor ordered with Quick-Change option. This options does **not** include the spindle sleeve.

Option MQD: Basic *B-Series* motor ordered with Quick-Change option for use with a *Jiffy-Drill*. This option is available only on original factory order.

Option MQT: Basic *B-Series* motor ordered with Quick-Change option for use with a *Jiffy-Tap*. This option is available only on original factory order.

Motor Repair Kit

RKMB: Includes seals and instructions for replacing worn out or broken seals for all sizes of *B-Series* motors.

Note: B-Motors are a direct replacement for any drive style.

B-Series (continued)

The information listed is in the following format: $[Torque(in - lbs)]$
Rpm

B-0 (2.2 in.³/rev)

| | | PSI (lbs./in. ²) | | | | | | | | |
|----------------------|----|------------------------------|--------------|---------------|---------------|---------------|--------------|--------------|--------------|--------------|
| | | 200 | 400 | 600 | 800 | 1000 | 1200 | 1400 | 1600 | 1800 |
| Flow GPM (gal./min.) | 2 | [49] 204 | [103] 201 | [162] 198 | [189] 194 | [270] 189 | [325] 184 | [379] 177 | [432] 170 | [489] 162 |
| | 4 | [47] 408 | [106] 407 | [160] 402 | [191] 399 | [274] 394 | [327] 387 | [384] 381 | [439] 373 | [495] 365 |
| | 6 | [44] 613 | [102] 612 | [158] 609 | [188] 604 | [272] 599 | [328] 591 | [383] 586 | [440] 576 | [496] 565 |
| | 8 | [40] 817 | [97] 817 | [153] 814 | [184] 807 | [270] 799 | [326] 793 | [383] 785 | [440] 776 | [497] 762 |
| | 10 | [36] 1021 | [90] 1021 | [148] 1015 | [180] 1008 | [265] 1001 | [322] 991 | [380] 981 | [438] 969 | [495] 959 |

B-1 (2.8 in.³/rev)

| | | PSI (lbs./in. ²) | | | | | | | | |
|----------------------|-------------|------------------------------|--------------|--------------|--------------|--------------|--------------|--------------|--------------|--------------|
| | | 200 | 400 | 600 | 800 | 1000 | 1200 | 1400 | 1600 | 1800 |
| Flow GPM (gal./min.) | 2 | [64] 161 | [136] 158 | [212] 156 | [284] 153 | [355] 148 | [426] 145 | [497] 139 | [567] 133 | [641] 127 |
| | 4 | [61] 323 | [139] 320 | [209] 316 | [286] 314 | [359] 310 | [429] 304 | [503] 300 | [576] 293 | [649] 287 |
| | 6 | [58] 486 | [134] 481 | [207] 479 | [282] 475 | [356] 471 | [430] 464 | [502] 461 | [577] 453 | [650] 444 |
| | 8 | [52] 648 | [128] 643 | [200] 640 | [276] 635 | [354] 628 | [428] 623 | [502] 617 | [577] 610 | [651] 599 |
| | 10 | [47] 808 | [118] 803 | [194] 798 | [269] 793 | [347] 787 | [423] 779 | [498] 771 | [575] 761 | [649] 753 |
| 12 | [36] 969 | [109] 964 | [188] 960 | [260] 952 | [340] 946 | [417] 938 | [492] 931 | [567] 922 | [643] 914 | |

B-1.5 (3.6 in.³/rev)

| | | PSI (lbs./in. ²) | | | | | | | | |
|----------------------|-------------|------------------------------|--------------|--------------|--------------|--------------|--------------|--------------|--------------|--------------|
| | | 200 | 400 | 600 | 800 | 1000 | 1200 | 1400 | 1600 | 1800 |
| Flow GPM (gal./min.) | 2 | [79] 127 | [169] 125 | [260] 123 | [305] 121 | [437] 117 | [526] 114 | [616] 109 | [704] 103 | [796] 96 |
| | 4 | [76] 254 | [168] 254 | [257] 251 | [307] 249 | [441] 246 | [529] 241 | [620] 236 | [710] 230 | [800] 224 |
| | 6 | [73] 381 | [161] 381 | [252] 380 | [303] 377 | [439] 373 | [529] 368 | [618] 364 | [709] 358 | [802] 349 |
| | 8 | [64] 508 | [151] 508 | [243] 508 | [294] 504 | [428] 500 | [519] 496 | [609] 491 | [701] 484 | [794] 476 |
| | 10 | [57] 635 | [141] 635 | [234] 634 | [283] 630 | [419] 626 | [512] 621 | [602] 614 | [693] 608 | [786] 601 |
| | 12 | [45] 762 | [131] 762 | [227] 762 | [274] 757 | [409] 753 | [505] 747 | [593] 741 | [684] 734 | [778] 728 |
| 14 | [33] 889 | [118] 889 | [213] 887 | [266] 882 | [396] 877 | [492] 872 | [583] 866 | [676] 860 | [770] 851 | |
| 15 | [29] 953 | [111] 953 | [205] 951 | [260] 945 | [389] 940 | [486] 935 | [576] 929 | [670] 921 | [765] 913 | |

B-2 (4.5 in.³/rev)

| | | PSI (lbs./in. ²) | | | | | | | | |
|----------------------|-------------|------------------------------|--------------|--------------|--------------|--------------|--------------|--------------|---------------|---------------|
| | | 200 | 400 | 600 | 800 | 1000 | 1200 | 1400 | 1600 | 1800 |
| Flow GPM (gal./min.) | 2 | [103] 101 | [220] 99 | [339] 98 | [454] 96 | [569] 93 | [685] 90 | [801] 86 | [916] 81 | [1036] 76 |
| | 4 | [99] 203 | [219] 201 | [335] 199 | [457] 197 | [574] 194 | [689] 191 | [808] 187 | [925] 182 | [1042] 177 |
| | 6 | [94] 305 | [210] 303 | [328] 301 | [451] 298 | [571] 296 | [689] 292 | [805] 288 | [924] 283 | [1044] 276 |
| | 8 | [86] 406 | [196] 404 | [319] 402 | [438] 399 | [558] 396 | [676] 393 | [793] 388 | [913] 383 | [1033] 377 |
| | 10 | [74] 507 | [183] 505 | [310] 502 | [422] 499 | [545] 496 | [667] 492 | [784] 486 | [903] 482 | [1024] 476 |
| | 12 | [58] 608 | [171] 606 | [295] 603 | [408] 600 | [533] 596 | [657] 591 | [773] 587 | [891] 581 | [1013] 576 |
| 14 | [43] 709 | [154] 706 | [277] 702 | [396] 698 | [515] 694 | [640] 691 | [760] 686 | [880] 681 | [1002] 674 | |
| 15 | [36] 760 | [145] 757 | [268] 753 | [387] 749 | [506] 744 | [632] 740 | [750] 735 | [873] 729 | [996] 723 | |

B-3 (5.9 in.³/rev)

| | | PSI (lbs./in. ²) | | | | | | | | |
|----------------------|-------------|------------------------------|--------------|--------------|--------------|--------------|--------------|---------------|---------------|---------------|
| | | 200 | 400 | 600 | 800 | 1000 | 1200 | 1400 | 1600 | 1800 |
| Flow GPM (gal./min.) | 2 | [134] 78 | [292] 76 | [442] 75 | [593] 73 | [746] 71 | [899] 68 | [1054] 65 | [1209] 61 | [1365] 55 |
| | 4 | [131] 156 | [281] 155 | [436] 153 | [596] 151 | [750] 149 | [903] 147 | [1059] 143 | [1212] 139 | [1367] 134 |
| | 6 | [126] 234 | [269] 233 | [425] 231 | [588] 230 | [747] 228 | [900] 224 | [1054] 221 | [1206] 217 | [1368] 210 |
| | 8 | [110] 312 | [246] 311 | [408] 310 | [566] 308 | [718] 305 | [873] 303 | [1023] 300 | [1177] 295 | [1339] 291 |
| | 10 | [96] 390 | [231] 389 | [392] 387 | [539] 385 | [699] 383 | [859] 380 | [1005] 376 | [1156] 373 | [1318] 368 |
| | 12 | [77] 468 | [218] 467 | [378] 465 | [522] 463 | [681] 460 | [844] 457 | [990] 453 | [1142] 449 | [1301] 445 |
| 14 | [60] 546 | [197] 544 | [358] 542 | [513] 539 | [662] 537 | [828] 535 | [973] 531 | [1131] 526 | [1293] 521 | |
| 15 | [52] 585 | [189] 583 | [346] 581 | [495] 578 | [651] 575 | [819] 573 | [963] 569 | [1126] 564 | [1286] 559 | |

B-3.3(7.3 in.³/rev)

| | | PSI (lbs./in. ²) | | | | | | | | |
|----------------------|-------------|------------------------------|--------------|--------------|--------------|---------------|---------------|---------------|---------------|---------------|
| | | 200 | 400 | 600 | 800 | 1000 | 1200 | 1400 | 1600 | 1800 |
| Flow GPM (gal./min.) | 2 | [162] 62 | [357] 61 | [544] 61 | [736] 59 | [927] 58 | [1116] 55 | [1305] 53 | [1498] 49 | [1687] 45 |
| | 4 | [160] 125 | [348] 124 | [539] 123 | [736] 121 | [930] 120 | [1119] 119 | [1316] 116 | [1506] 114 | [1698] 110 |
| | 6 | [155] 188 | [338] 187 | [530] 186 | [729] 185 | [923] 183 | [1116] 180 | [1310] 178 | [1500] 175 | [1699] 170 |
| | 8 | [139] 250 | [319] 250 | [515] 249 | [710] 247 | [901] 245 | [1094] 243 | [1283] 241 | [1476] 237 | [1673] 233 |
| | 10 | [121] 313 | [303] 312 | [497] 311 | [686] 309 | [883] 308 | [1081] 306 | [1267] 302 | [1460] 300 | [1655] 296 |
| | 12 | [102] 375 | [288] 374 | [480] 373 | [664] 371 | [862] 370 | [1060] 367 | [1246] 365 | [1440] 361 | [1640] 358 |
| 14 | [78] 438 | [263] 437 | [458] 435 | [652] 433 | [841] 431 | [1041] 430 | [1228] 427 | [1420] 423 | [1616] 419 | |
| 15 | [67] 469 | [253] 468 | [446] 466 | [632] 464 | [828] 462 | [1030] 460 | [1214] 458 | [1411] 454 | [1608] 450 | |

B-Series (continued)

B-3.6 (8.9 in.³/rev)

| | | PSI (lbs./in. ²) | | | | | | | | |
|----------------------|-------------|------------------------------|--------------|--------------|---------------|---------------|---------------|---------------|---------------|---------------|
| | | 200 | 400 | 600 | 800 | 1000 | 1200 | 1400 | 1600 | 1700 |
| Flow GPM (gal./min.) | 2 | [198] 51 | [435] 50 | [664] 50 | [897] 49 | [1130] 47 | [1361] 45 | [1591] 43 | [1827] 40 | [1942] 39 |
| | 4 | [196] 103 | [424] 102 | [657] 101 | [898] 99 | [1133] 99 | [1365] 97 | [1604] 95 | [1836] 93 | [1954] 92 |
| | 6 | [189] 154 | [412] 153 | [646] 152 | [889] 151 | [1125] 150 | [1361] 148 | [1598] 146 | [1829] 143 | [1951] 141 |
| | 8 | [169] 205 | [389] 205 | [628] 204 | [866] 203 | [1098] 201 | [1333] 200 | [1564] 197 | [1799] 195 | [1919] 193 |
| | 10 | [148] 257 | [369] 256 | [605] 255 | [836] 253 | [1076] 252 | [1318] 251 | [1544] 248 | [1780] 246 | [1899] 244 |
| | 12 | [125] 308 | [351] 307 | [586] 306 | [810] 305 | [1051] 303 | [1293] 301 | [1519] 299 | [1756] 296 | [1878] 295 |
| | 14 | [95] 359 | [321] 358 | [558] 357 | [795] 355 | [1026] 354 | [1290] 352 | [1497] 350 | [1731] 347 | [1851] 346 |
| 15 | [82] 385 | [308] 384 | [544] 383 | [771] 381 | [1010] 379 | [1256] 378 | [1480] 375 | [1720] 373 | [1840] 371 | |

B-4 (9.7 in.³/rev)

| | | PSI (lbs./in. ²) | | | | | | | | |
|----------------------|-------------|------------------------------|--------------|--------------|---------------|---------------|---------------|---------------|---------------|---------------|
| | | 200 | 400 | 600 | 800 | 1000 | 1200 | 1400 | 1600 | 1650 |
| Flow GPM (gal./min.) | 2 | [209] 47 | [465] 46 | [715] 46 | [937] 45 | [1228] 44 | [1478] 42 | [1724] 40 | [1981] 38 | [2046] 37 |
| | 4 | [210] 94 | [460] 94 | [710] 93 | [971] 91 | [1229] 91 | [1480] 90 | [1745] 89 | [1996] 87 | [2059] 87 |
| | 6 | [205] 141 | [454] 141 | [704] 140 | [965] 139 | [1216] 138 | [1477] 136 | [1738] 134 | [1991] 132 | [2055] 132 |
| | 8 | [186] 188 | [440] 188 | [683] 187 | [951] 186 | [1205] 185 | [1461] 183 | [1716] 181 | [1973] 179 | [2038] 178 |
| | 10 | [164] 235 | [422] 234 | [671] 234 | [930] 232 | [1189] 232 | [1451] 230 | [1702] 228 | [1965] 226 | [2032] 225 |
| | 12 | [144] 282 | [404] 281 | [652] 281 | [900] 279 | [1163] 279 | [1421] 277 | [1674] 275 | [1937] 273 | [2004] 272 |
| | 14 | [109] 330 | [374] 329 | [623] 328 | [883] 327 | [1140] 325 | [1396] 323 | [1653] 322 | [1900] 319 | [1963] 319 |
| 15 | [92] 353 | [359] 352 | [612] 351 | [861] 350 | [1123] 348 | [1381] 347 | [1633] 345 | [1886] 343 | [1950] 342 | |

B-5 (11.3 in.³/rev)

| | | PSI (lbs./in. ²) | | | | | | | |
|----------------------|--------------|------------------------------|--------------|---------------|---------------|---------------|---------------|---------------|---------------|
| | | 200 | 400 | 600 | 800 | 1000 | 1200 | 1400 | 1600 |
| Flow GPM (gal./min.) | 2 | [257] 40 | [554] 40 | [847] 39 | [1150] 38 | [1447] 37 | [1739] 36 | [2035] 33 | [2320] 29 |
| | 4 | [254] 81 | [546] 81 | [845] 80 | [1145] 79 | [1448] 78 | [1744] 77 | [2049] 76 | [2343] 74 |
| | 6 | [246] 121 | [540] 121 | [834] 120 | [1137] 120 | [1434] 119 | [1736] 117 | [2036] 115 | [2337] 112 |
| | 8 | [224] 162 | [520] 162 | [820] 161 | [1117] 160 | [1414] 159 | [1716] 157 | [2014] 155 | [2315] 152 |
| | 10 | [202] 202 | [499] 202 | [793] 201 | [1095] 201 | [1394] 200 | [1699] 198 | [1997] 196 | [2299] 193 |
| | 12 | [176] 243 | [475] 242 | [767] 242 | [1063] 241 | [1368] 240 | [1664] 238 | [1969] 236 | [2268] 234 |
| | 14 | [140] 283 | [443] 283 | [735] 282 | [1035] 281 | [1340] 280 | [1637] 279 | [1936] 277 | [2227] 274 |
| 15 | [120] 304 | [425] 303 | [719] 302 | [1014] 301 | [1320] 300 | [1618] 299 | [1914] 297 | [2205] 294 | |

B-6 (14.1 in.³/rev)

| | | PSI (lbs./in. ²) | | | | | | | |
|----------------------|--------------|------------------------------|--------------|---------------|---------------|---------------|---------------|---------------|---------------|
| | | 200 | 400 | 600 | 800 | 1000 | 1200 | 1400 | 1450 |
| Flow GPM (gal./min.) | 2 | [338] 32 | [707] 32 | [1074] 31 | [1456] 30 | [1827] 30 | [2192] 28 | [2572] 26 | [2657] 25 |
| | 4 | [328] 65 | [695] 65 | [1076] 64 | [1447] 63 | [1827] 62 | [2201] 62 | [2577] 60 | [2699] 60 |
| | 6 | [317] 97 | [687] 97 | [1057] 97 | [1434] 96 | [1811] 95 | [2186] 94 | [2555] 92 | [2650] 91 |
| | 8 | [289] 130 | [659] 130 | [1038] 130 | [1406] 129 | [1777] 128 | [2160] 127 | [2531] 124 | [2625] 124 |
| | 10 | [265] 162 | [631] 162 | [1004] 162 | [1381] 162 | [1751] 160 | [2131] 158 | [2510] 156 | [2602] 156 |
| | 12 | [230] 195 | [599] 195 | [968] 194 | [1345] 194 | [1722] 193 | [2088] 192 | [2480] 189 | [2571] 189 |
| | 14 | [191] 227 | [563] 227 | [927] 227 | [1299] 226 | [1686] 226 | [2058] 224 | [2428] 222 | [2519] 221 |
| 15 | [167] 243 | [538] 243 | [904] 243 | [1279] 242 | [1661] 242 | [2030] 240 | [2404] 238 | [2493] 238 | |

B-7 (17.9 in.³/rev)

| | | PSI (lbs./in. ²) | | | | | | |
|----------------------|--------------|------------------------------|---------------|---------------|---------------|---------------|---------------|---------------|
| | | 200 | 400 | 600 | 800 | 1000 | 1200 | 1350 |
| Flow GPM (gal./min.) | 2 | [427] 26 | [893] 25 | [1361] 25 | [1829] 24 | [2293] 22 | [2672] 16 | [2977] 13 |
| | 4 | [419] 51 | [886] 51 | [1362] 51 | [1833] 50 | [2305] 49 | [2771] 47 | [3110] 44 |
| | 6 | [402] 77 | [872] 77 | [1342] 76 | [1819] 76 | [2291] 74 | [2757] 71 | [3098] 68 |
| | 8 | [367] 102 | [838] 102 | [1316] 102 | [1785] 101 | [2252] 100 | [2723] 98 | [3070] 95 |
| | 10 | [332] 128 | [803] 128 | [1276] 128 | [1749] 127 | [2215] 126 | [2684] 123 | [3034] 120 |
| | 12 | [289] 153 | [760] 153 | [1230] 153 | [1706] 153 | [2177] 151 | [2634] 149 | [2989] 146 |
| | 14 | [241] 179 | [712] 179 | [1176] 179 | [1650] 179 | [2126] 177 | [2592] 175 | [2935] 172 |
| 15 | [211] 192 | [683] 192 | [1149] 192 | [1623] 191 | [2096] 190 | [2558] 188 | [2905] 185 | |

B-8 (22.6 in.³/rev)

| | | PSI (lbs./in. ²) | | | | | | |
|----------------------|--------------|------------------------------|---------------|---------------|---------------|---------------|---------------|---------------|
| | | 200 | 400 | 600 | 800 | 1000 | 1200 | 1250 |
| Flow GPM (gal./min.) | 2 | [537] 20 | [1121] 20 | [1715] 20 | [2285] 19 | [2862] 16 | | |
| | 4 | [532] 40 | [1123] 40 | [1715] 40 | [2308] 39 | [2893] 38 | [3467] 36 | [3604] 35 |
| | 6 | [508] 61 | [1100] 61 | [1693] 61 | [2294] 60 | [2884] 58 | [3458] 55 | [3598] 53 |
| | 8 | [463] 81 | [1060] 81 | [1661] 81 | [2255] 80 | [2840] 79 | [3414] 76 | [3557] 74 |
| | 10 | [414] 101 | [1017] 101 | [1613] 101 | [2203] 101 | [2788] 99 | [3363] 96 | [3506] 94 |
| | 12 | [363] 121 | [960] 121 | [1553] 121 | [2152] 121 | [2737] 119 | [3305] 116 | [3446] 115 |
| | 14 | [303] 142 | [897] 142 | [1484] 142 | [2086] 142 | [2667] 140 | [3246] 137 | [3386] 136 |
| 15 | [266] 152 | [862] 152 | [1452] 152 | [2050] 152 | [2630] 150 | [3206] 148 | [3347] 147 | |

