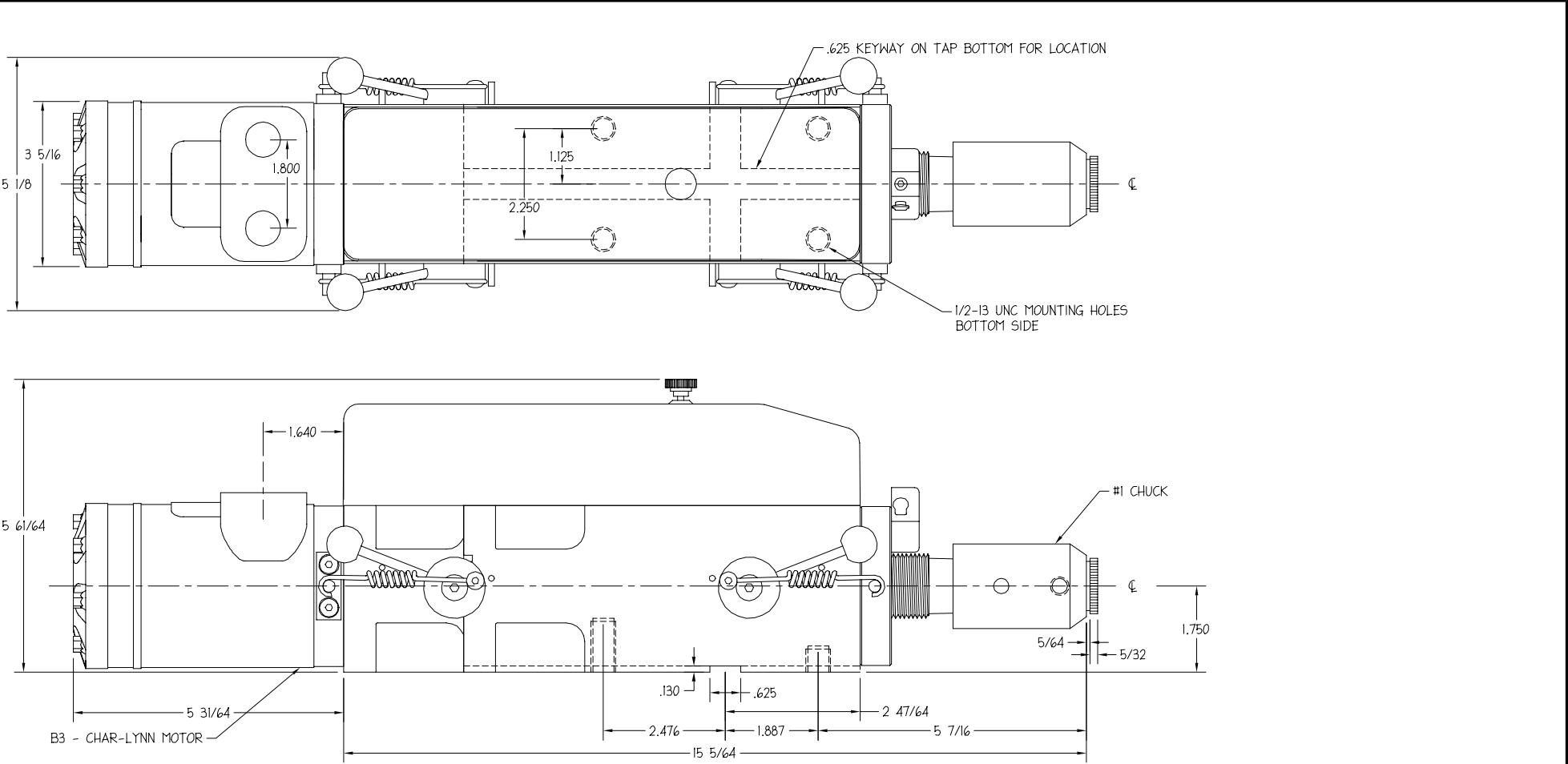


Dimensional Drawings of Quick-Change Tapping Units



J-5366	3T-B3-20-ES-SQ-MQ	
PART NO.	USE	MATERIAL
LIMITS ON DIMENSIONS UNLESS OTHERWISE SPECIFIED DECIMAL ± .005 FRACTIONAL ± 1/64 ANGULAR ± 1/2°		AAA PRODUCTS INTERNATIONAL 714 Harry Hines Blvd Dallas, TX 75235
DRAWN: REM	DATE: 1-18-96	
SCALE: 1/1		RELEASED: REM DATE: 1-18-96
TITLE: 3T-B3-20-ES-SQ-MQ JIFFY TAP		DRAWING NO.: B-5366

NO.	DATE	REVISION

AAA Products International on-line product information. Consult factory or local distributor for more information.

Bulletin A-261-1 - November 30, 2001

TAP
MENU

MAIN
MENU