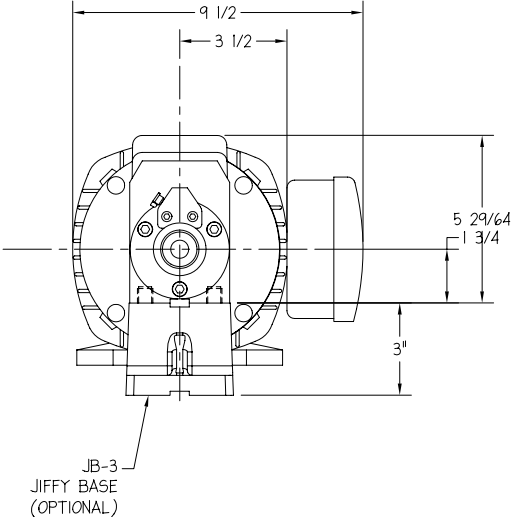
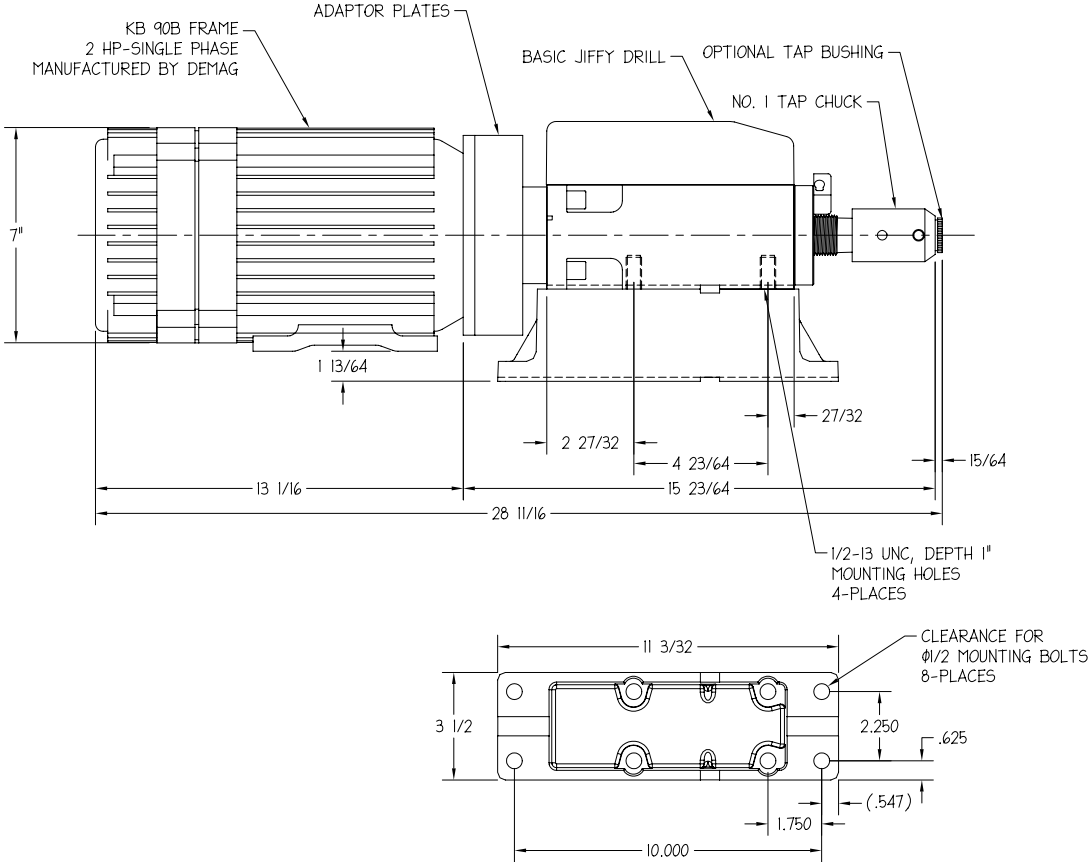



Dimensional Drawings of Electric Tapping Units



	DIRECT DRIVE	
PART NO.	USE	MATERIAL
LIMITS ON DIMENSIONS UNLESS OTHERWISE SPECIFIED		DECIMAL $\pm .005$ FRACTIONAL $\pm 1/64$ ANGULAR $\pm 1/2^\circ$
 AAA PRODUCTS INTERNATIONAL 7114 Harry Hines Blvd Dallas, TX 75235		
DRAWN: REM	DATE: 8-21-98	APPROVED: DATE:
SCALE: 1/1	SHEET:	RELEASED: DATE:
TITLE: ELECTRIC MOTOR DIRECT DRIVE JIFFY TAP		DRAWING NO.: B-4179

NO.	DATE	REVISION
-----	------	----------