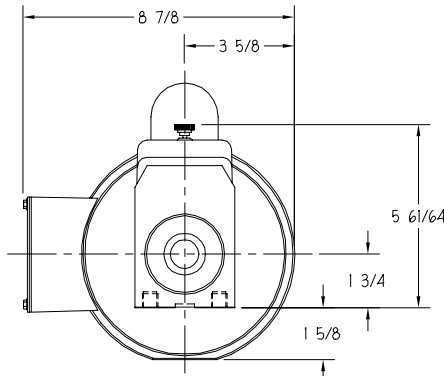
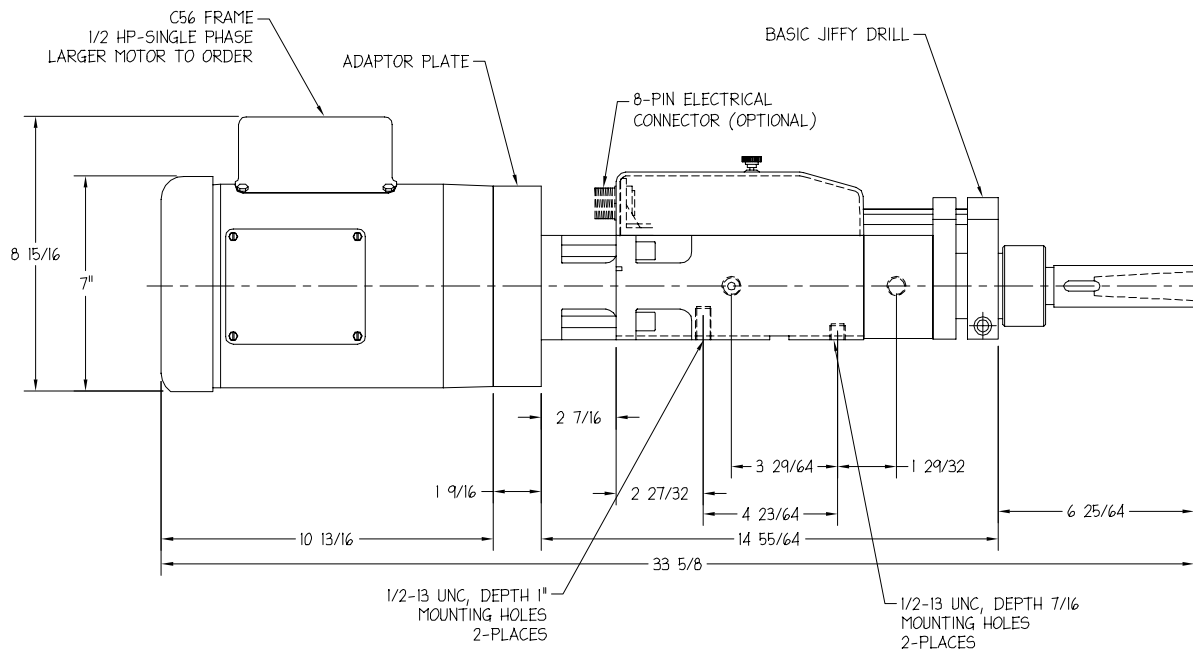



Dimensional Drawings of Electric Units



A	8-8-96	REDRAWN AND CONV TO CAD
NO.	DATE	REVISION

DIRECT DRIVE		MATERIAL	
PART NO.	USE	MATERIAL	
LIMITS ON DIMENSIONS UNLESS OTHERWISE SPECIFIED		DECIMAL ± .005 FRACTIONAL ± 1/64 ANGULAR ± 1/2°	 AAA PRODUCTS INTERNATIONAL 7114 Harry Hines Blvd Dallas, TX 75235
DRAWN: REM	DATE: 8-8-96	APPROVED:	
SCALE: 1/1		RELEASED:	DATE:
TITLE: ELECTRIC MOTOR DIRECT DRIVE JIFFY DRILL			DRAWING NO.: B-4172-A