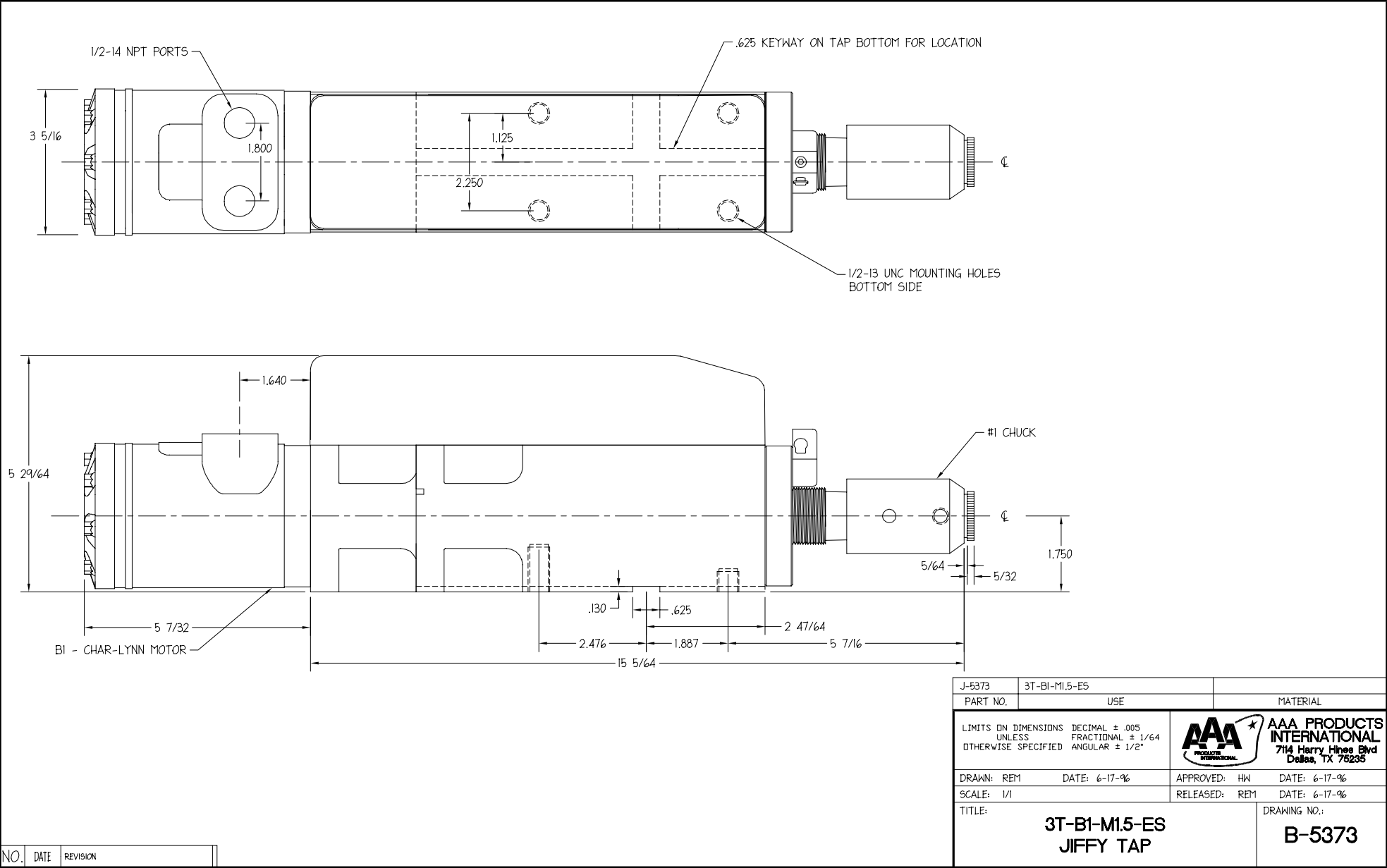


# Simple Dimensional Drawings of Sample Units



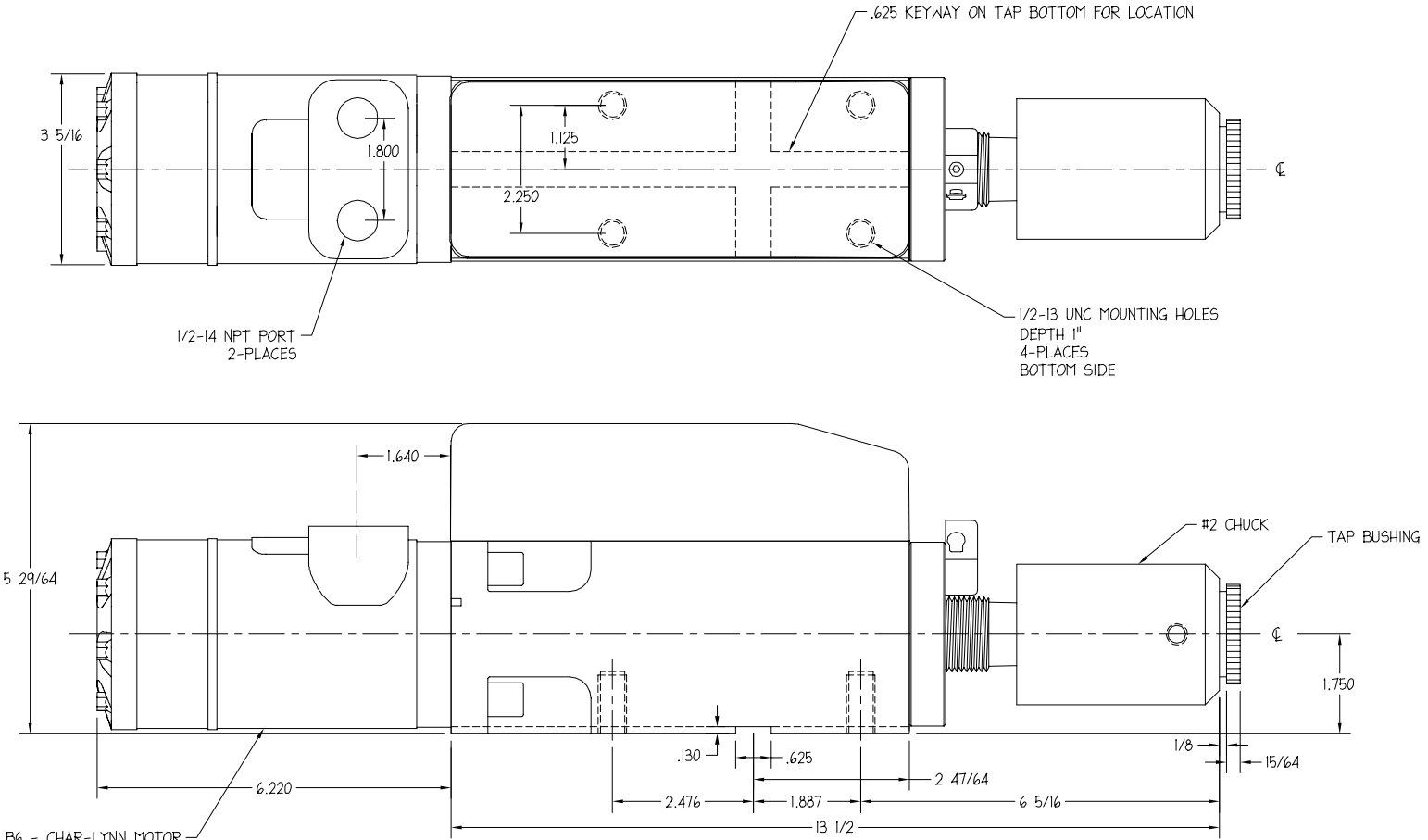
AAA Products International on-line product information. Consult factory or local distributor for more information.


Bulletin A-243-1 - November 30, 2001

TAP  
MENU

MAIN  
MENU

# Simple Dimensional Drawings of Sample Units



J-5372	3T-B6-11 1/2		
PART NO.	USE	MATERIAL	
LIMITS ON DIMENSIONS UNLESS OTHERWISE SPECIFIED		DECIMAL ± .005 FRACTIONAL ± 1/64 ANGULAR ± 1/2°	 <b>AAA PRODUCTS INTERNATIONAL</b> 714 Harry Hines Blvd Dallas, TX 75235
DRAWN: REM	DATE: 4-30-96	APPROVED: HW	
SCALE: 1/1		RELEASED: REM	DATE: 5-1-96
TITLE: <b>3T-B6-11 1/2 JIFFY TAP</b>			DRAWING NO.: <b>B-5372</b>

NO.	DATE	REVISION

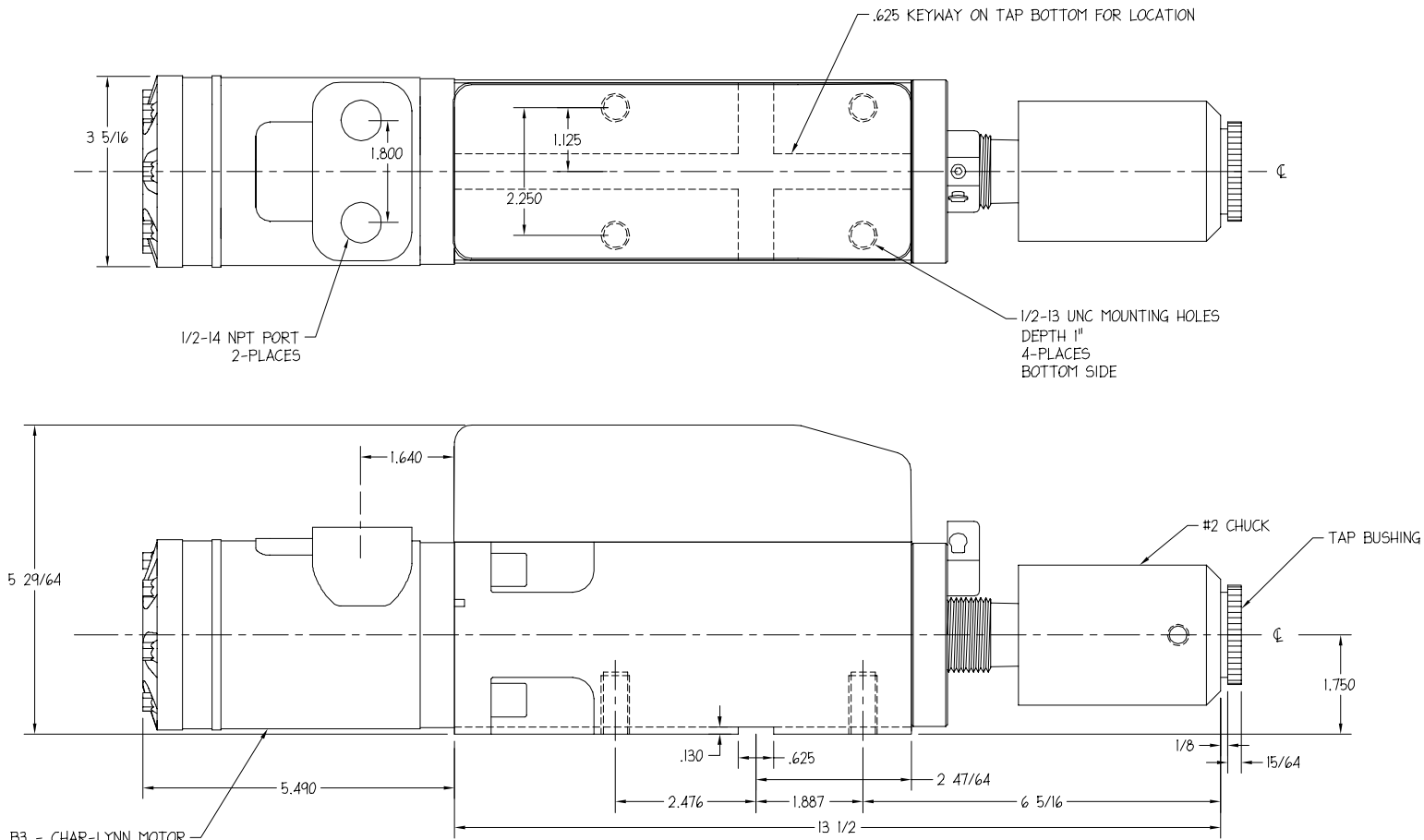
AAA Products International on-line product information. Consult factory or local distributor for more information.


Bulletin A-243-2 - November 30, 2001

TAP MENU

MAIN MENU

# Simple Dimensional Drawings of Sample Units



J-5374	3T-B3-11 1/2		
PART NO.	USE	MATERIAL	
LIMITS ON DIMENSIONS UNLESS OTHERWISE SPECIFIED		DECIMAL ± .005 FRACTIONAL ± 1/64 ANGULAR ± 1/2°	 <b>AAA PRODUCTS INTERNATIONAL</b> 714 Harry Hines Blvd Dallas, TX 75235
DRAWN: REM	DATE: 8-26-96	APPROVED: HW	
SCALE: 1/1		RELEASED: REM	DATE: 8-26-96
TITLE:		DRAWING NO.:	
3T-B3-11 1/2 JIFFY TAP		B-5374	

NO.	DATE	REVISION

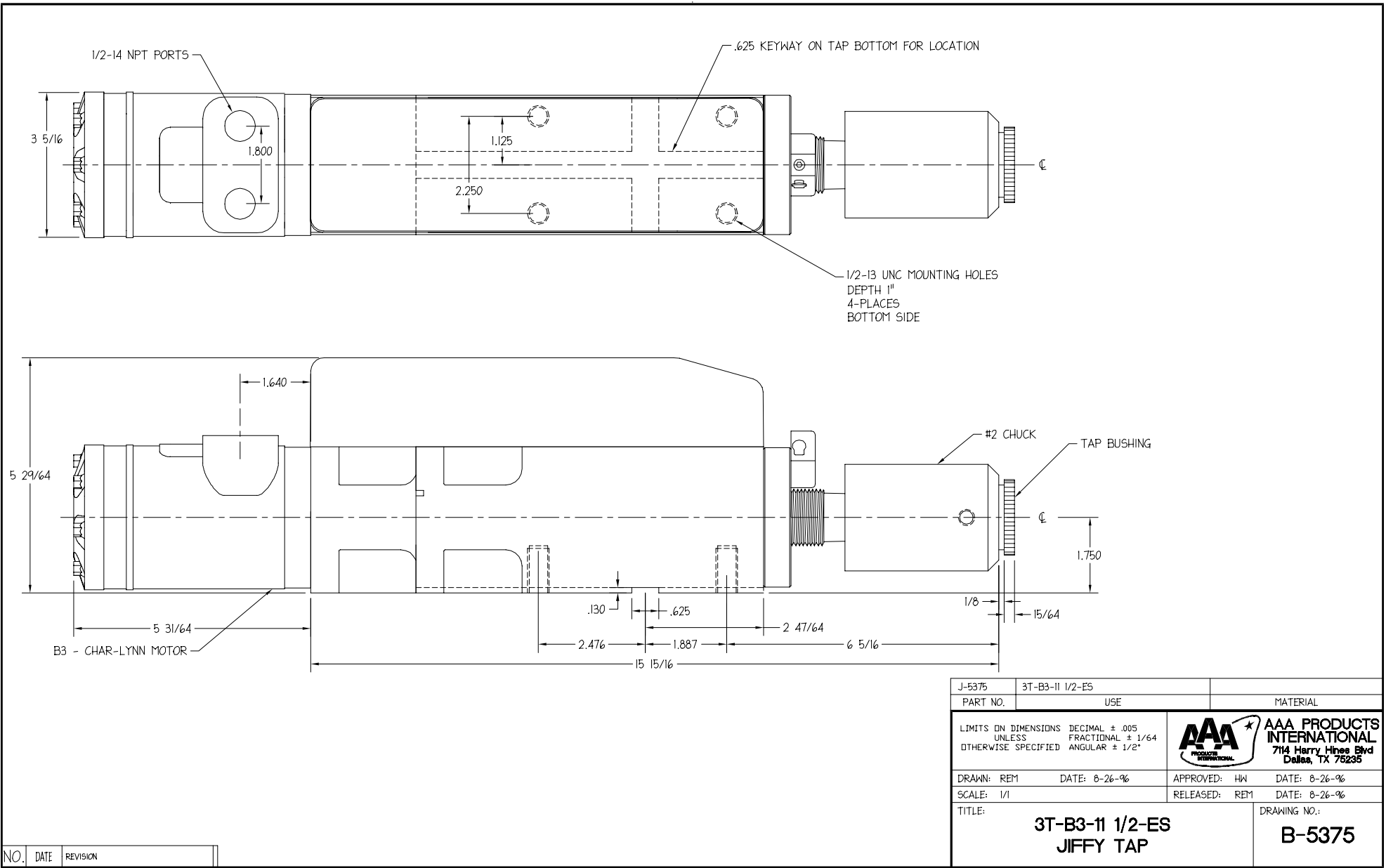
AAA Products International on-line product information. Consult factory or local distributor for more information.

Bulletin A-243-3 - November 30, 2001

TAP MENU

MAIN MENU

# Simple Dimensional Drawings of Sample Units



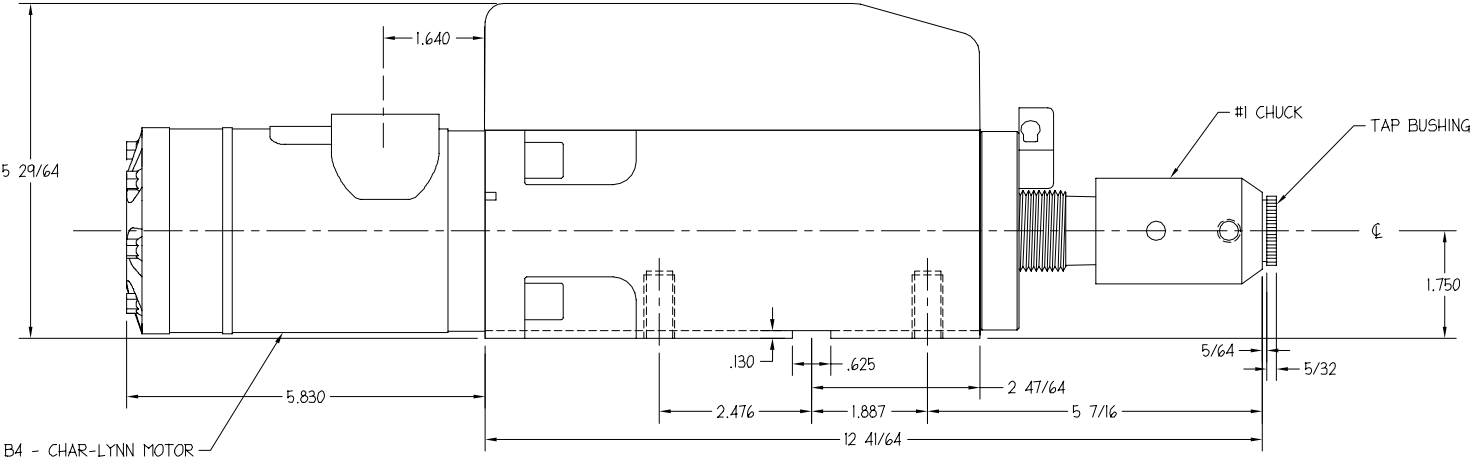
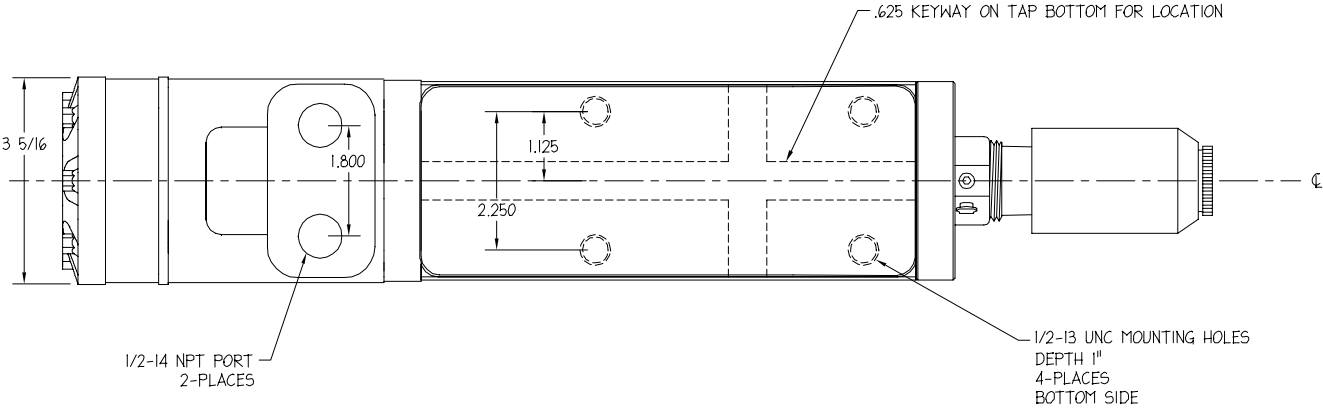
AAA Products International on-line product information. Consult factory or local distributor for more information.


Bulletin A-243-4 - November 30, 2001

TAP  
MENU

MAIN  
MENU

# Simple Dimensional Drawings of Sample Units



PART NO. 3T-B4-11 1/2		USE		MATERIAL	
LIMITS ON DIMENSIONS UNLESS OTHERWISE SPECIFIED		DECIMAL ± .005 FRACTIONAL ± 1/64 ANGULAR ± 1/2°		 <b>AAA PRODUCTS INTERNATIONAL</b> 714 Harry Hines Blvd Dallas, TX 75235	
DRAWN: REM	DATE: 9-18-96	APPROVED: HW	DATE: 9-18-96		
SCALE: 1/2		RELEASED: REM	DATE: 9-18-96		
TITLE: 3T-B4-11 1/2 JIFFY TAP			DRAWING NO.: B-5376		

NO.	DATE	REVISION

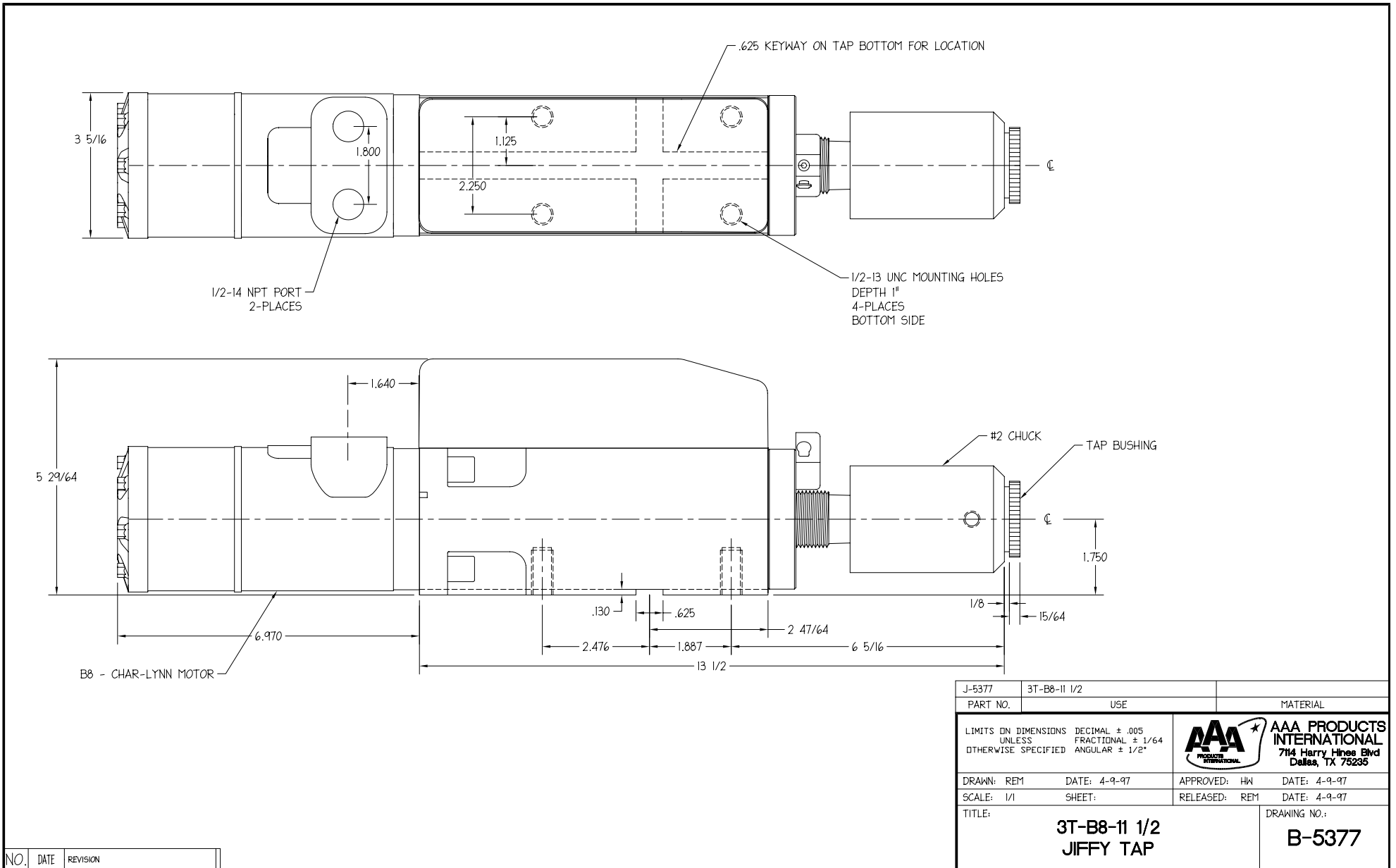
AAA Products International on-line product information. Consult factory or local distributor for more information.

Bulletin A-243-5 - November 30, 2001

TAP  
MENU

MAIN  
MENU

# Simple Dimensional Drawings of Sample Units



AAA Products International on-line product information. Consult factory or local distributor for more information.

Bulletin A-243-6 - November 30, 2001

TAP  
MENU

MAIN  
MENU