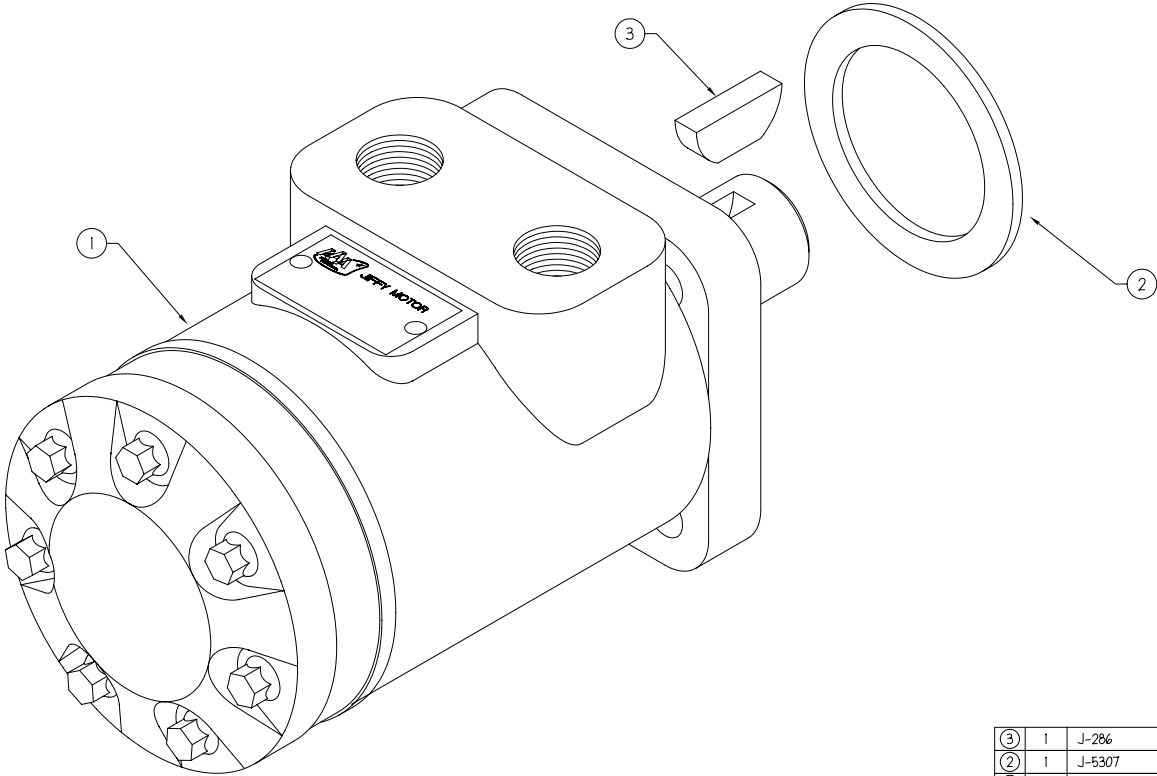


# Hydraulic Motors for Jiffy Units (Standard Assembly)



③	1	J-286	808 MOTOR KEY	
②	1	J-5307	RING - CHAR-LYNN ADAPTOR	STEEL
①	1	B-X	B-SERIES MOTOR	
		J-5391	B SERIES MOTOR ASSEMBLY	
FLG	QNTY	PART NO.	USE	MATERIAL

LIMITS ON DIMENSIONS DECIMAL ± .005  
 UNLESS FRACTIONAL ± 1/64  
 OTHERWISE SPECIFIED ANGULAR ± 1/2°



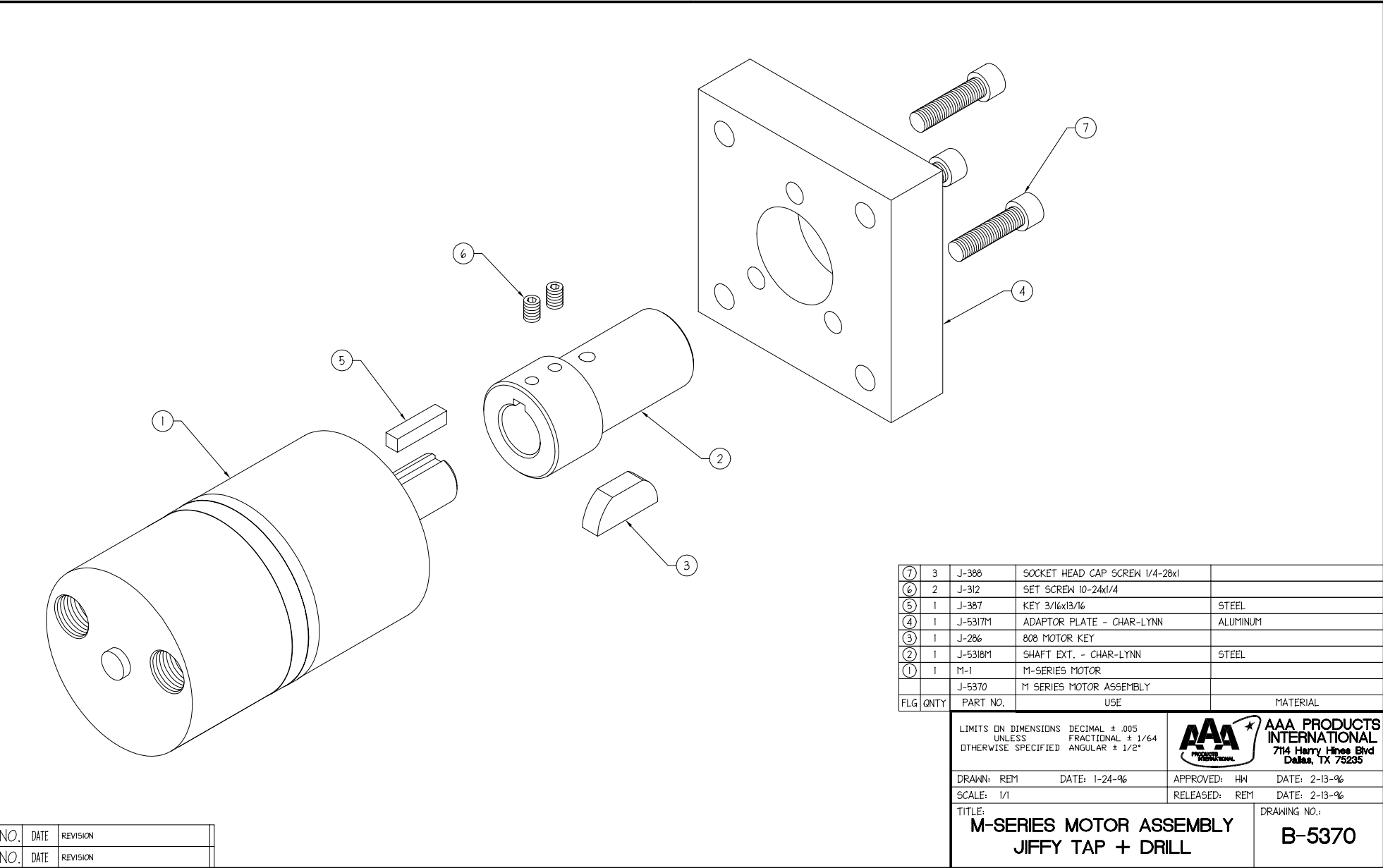
**AAA PRODUCTS INTERNATIONAL**  
 7114 Harry Hines Blvd  
 Dallas, TX 75235

DRAWN: REM	DATE: 10-17-98	APPROVED: HW	DATE: 9-17-98
SCALE: 1/1	SHEET:	RELEASED: REM	DATE: 9-17-98

TITLE: <b>B-SERIES MOTOR ASSEMBLY          JIFFY TAP + DRILL</b>	DRAWING NO.: <b>B-5391</b>
---	-------------------------------

NO.	DATE	REVISION
-----	------	----------

# Hydraulic Motors for Jiffy Units (Standard Assembly)



NO.	DATE	REVISION

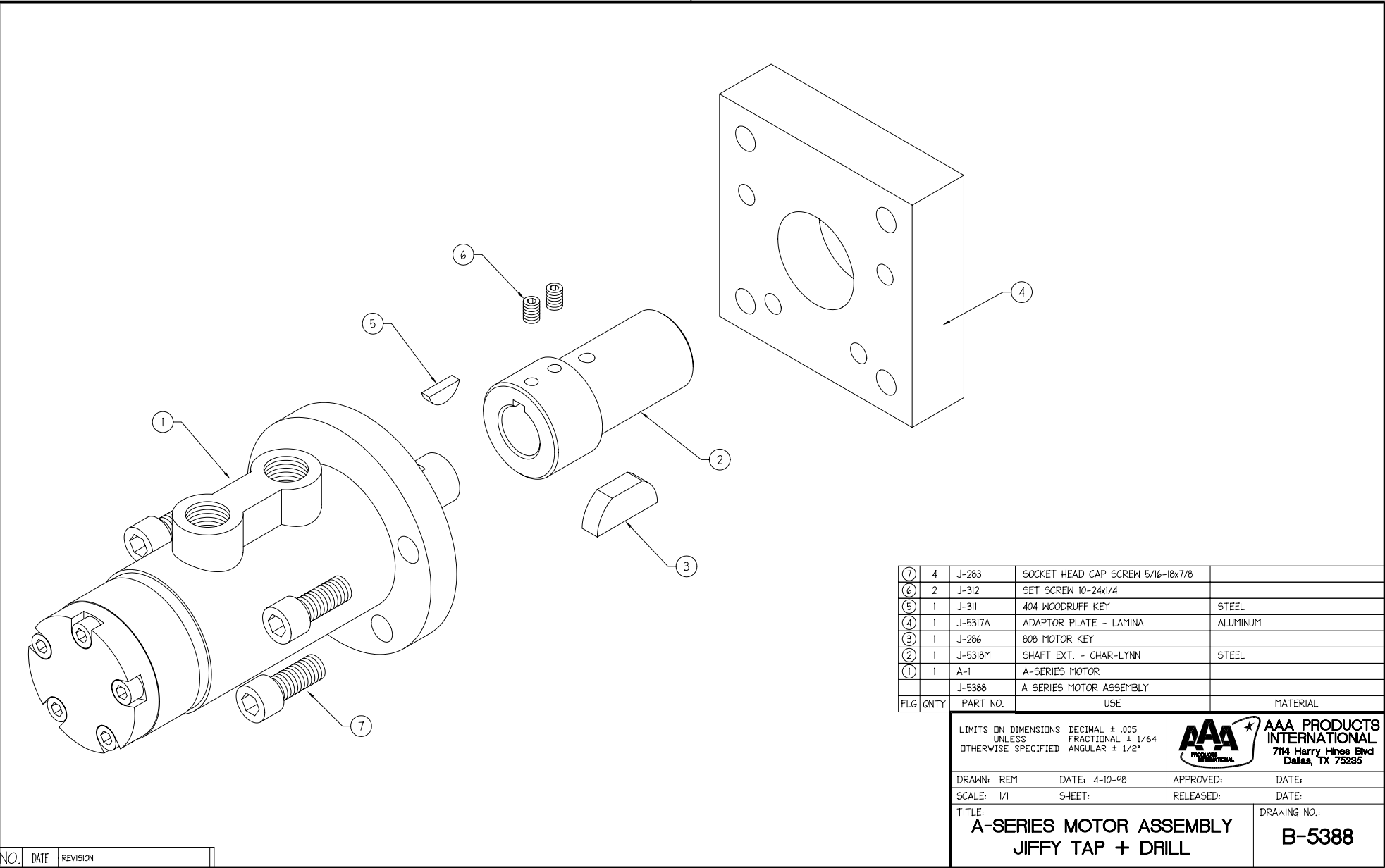
LIMITS ON DIMENSIONS DECIMAL ± .005  
 UNLESS FRACTIONAL ± 1/64  
 OTHERWISE SPECIFIED ANGULAR ± 1/2°

**AAA** PRODUCTS INTERNATIONAL  
 714 Harry Hines Blvd  
 Dallas, TX 75235

DRAWN: REM DATE: 1-24-96 APPROVED: HW DATE: 2-13-96  
 SCALE: 1/1 RELEASED: REM DATE: 2-13-96

TITLE: **M-SERIES MOTOR ASSEMBLY  
 JIFFY TAP + DRILL** DRAWING NO.: **B-5370**

# Hydraulic Motors for Jiffy Units (Standard Assembly)



⑦	4	J-283	SOCKET HEAD CAP SCREW 5/16-18x7/8	
⑥	2	J-312	SET SCREW 10-24x1/4	
⑤	1	J-311	404 WOODRUFF KEY	STEEL
④	1	J-5317A	ADAPTOR PLATE - LAMINA	ALUMINUM
③	1	J-286	808 MOTOR KEY	
②	1	J-5318M	SHAFT EXT. - CHAR-LYNN	STEEL
①	1	A-1	A-SERIES MOTOR	
		J-5388	A SERIES MOTOR ASSEMBLY	
FLG	QNTY	PART NO.	USE	MATERIAL

LIMITS ON DIMENSIONS DECIMAL ± .005  
 UNLESS FRACTIONAL ± 1/64  
 OTHERWISE SPECIFIED ANGULAR ± 1/2°

**AAA** PRODUCTS INTERNATIONAL  
 7114 Harry Hines Blvd  
 Dallas, TX 75235

DRAWN: REM DATE: 4-10-98 APPROVED: DATE:  
 SCALE: 1/1 SHEET: RELEASED: DATE:

TITLE: **A-SERIES MOTOR ASSEMBLY  
 JIFFY TAP + DRILL** DRAWING NO.: **B-5388**

NO.	DATE	REVISION
-----	------	----------