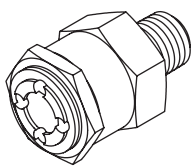
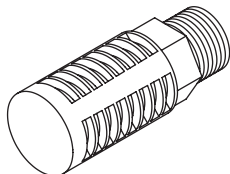


## ACCESSORIES FOR ALL AAA VALVES

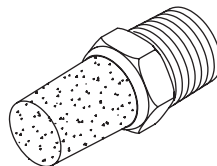
### PNEUMATIC EXHAUST MUFFLERS



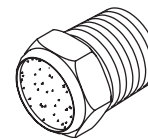
**MFC Flow Control**



**PM Muffler**



**BM Muffler**



**BV Muffler**

#### MODEL MFC MUFFLER/FLOW CONTROL

Adjustable needle valve with built-in noise muffler. Machined from brass bar stock. To adjust, loosen locknut, then use coin or screwdriver to adjust exhaust flow, then tighten locknut. For dual exhaust 4-way valves, one MFC flow control may be installed in each exhaust port to provide individual speed control in both directions of cylinder travel.

1/4" NPT	3/8" NPT	1/2" NPT
MFC-2	MFC-3	MFC-4

#### MODEL PM MUFFLER

Lightweight plastic body muffler that incorporates a fail safe tip to prevent excessive buildup of back pressure. PM mufflers use a multiple layered, wire mesh element that is impervious to solvents. This element can be removed for cleaning. Cleaning solvents should be selected as best suits for removing the collected contaminates.

1/8" NPT	1/4" NPT	3/8" NPT	1/2" NPT
PM-1	PM-2	PM-3	PM-4

#### MODEL BM & BV MUFFLER

BM & BV series mufflers utilize a 40 micron porous sintered bronze filter directly bonded to a brass pipe thread fitting. Sintered bronze exhaust muffler provides superior mechanical strength for any industrial environment. They are highly resistant to various chemicals and solvents, capable of high temperatures and easy to clean with various industrial cleaners and de-greasers. The BV series is a low profile breather vent style best for high shock environments. Available in stainless steel, consult factory.

1/8" NPT	1/4" NPT	3/8" NPT	1/2" NPT	3/4" NPT	1" NPT
BM-1	BM-2	BM-3	BM-4	BM-6	BM-8
BV-1	BV-2	BV-3	BV-4	BV-6	BV-8

### "IN-LINE" SLEEVE VALVE

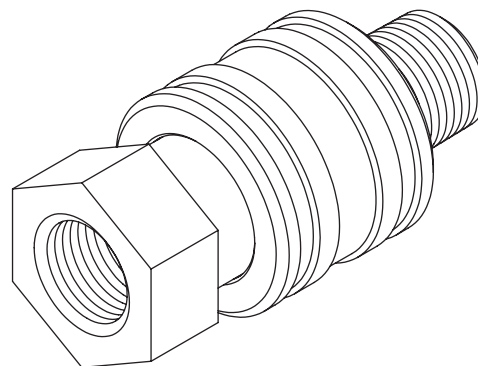
#### 3-Way — 1/4" to 1/2" — Vacuum to 175 PSI Air or Gas That Can be Vented to Atmosphere

Each "In-Line" valve has a sliding sleeve with a very short travel and can be shifted by fingertip operation. It can be installed in an air line and used, for example, to shut off the air while refilling the lubricator.

Valve will handle full flow with very little pressure loss. Machined from brass bar stock. O-ring seals give leak tight shut off.

When used as an air line shut off, trapped system air pressure is vented to atmosphere when sleeve is closed. When used as vacuum shut-off and vent, connect vacuum pump to male end.

Model No.	Size, NPT	Length	Diameter
SV-2	1/4"	2-1/8"	1"
SV-3	3/8"	2-5/8"	1-1/4"
SV-4	1/2"	3-9/32"	1-1/2"



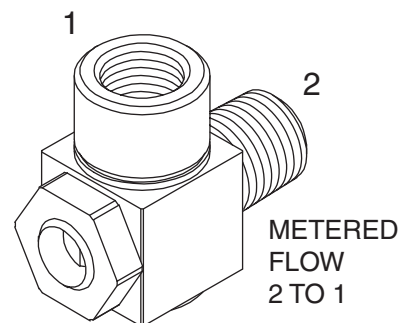
### RIGHT ANGLE, "IN-LINE" FLOW CONTROL - Metered Out

#### 1/4" to 1/2" — 1 to 10 BAR Operating Pressure

Flow control is installed in an air line and used to regulate the air flow. It can be located before the air valve or after. Operating temperature is 14°F to 158°F. Number of turns of adjustment screw is 8 to 10. Flow is approximately linear with the rotation of the adjustment screw.

Model No.	Size, NPT	Max. Flow		Rev. Flow*	
		(SCFM)	(Cv)	(SCFM)	(Cv)
FC-2	1/4"	28	.80	12.0	.34
FC-3	3/8"	64	1.84	34.5	.99
FC-4	1/2"	80	2.32	50.2	1.45

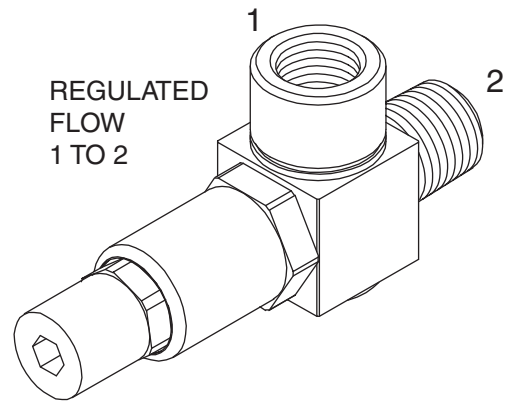
\*Reverse flow with adjustment screw closed.



**RIGHT ANGLE, "IN-LINE" PRESSURE REDUCING VALVE**  
**1/4" to 1/2" — 1 to 16 BAR Operating Pressure**

Pressure reducing valve is installed in an air line and used to regulate the air pressure. It can be located before the air valve or after. Operating temperature is 14°F to 158°F. Number of turns of adjustment screw is 8 to 10. Pressure is approximately linear with the rotation of the adjustment screw. Non-relieving valves require line flow to activate pressure changes. As pressure is reduced, flow will also reduce. Greatest reduction starts to occur below 60% of line pressure reduction.

Model No.	Size, NPT	Relieving	Max. Flow	
			(SCFM)	(Cv)
PRV-2	1/4"	no	24.7	.71
PRV-3	3/8"	no	49.4	1.42
PRV-4	1/2"	no	77.7	2.24
PRVR-2	1/4"	yes	24.7	.71
PRVR-3	3/8"	yes	49.4	1.42
PRVR-4	1/2"	yes	77.7	2.24



**"POWER REIN" - 1/4" ROTARY VALVE**

**4-WAY — Air, Oil, Water, Inert Gas - 200 PSI**

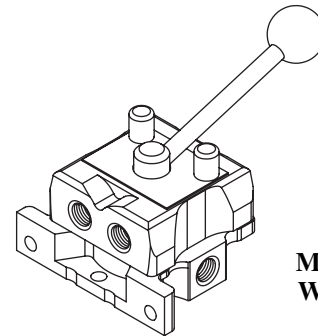
**MODEL R2H.** A rotary-type hand valve with lapped rotor for virtually leak tight operation. No seals to wear out. Excellent for throttling applications. Bronze body, stainless steel rotor.

Has standard 4-way action with all ports blocked in center position. Can be used as a 3-way valve by plugging the unused cylinder port. Threaded common exhaust 3/8" NPTF. Pressure and cylinder ports 1/4" NPTF. Valve will **NOT** function with exhaust port pressurized.

Universal mounting with two 1/4" screws: 2-15/16" between holes on foot or 2-19/32" between holes for flat mounting.

**MODEL R2HD.** A rotary-type hand valve with handle detented in all 3-positions.

**MODEL R2HDQ.** A rotary-type hand valve with handle detented in position "A" and position "C".



**Model R2HD**  
**Weight 3 lbs**