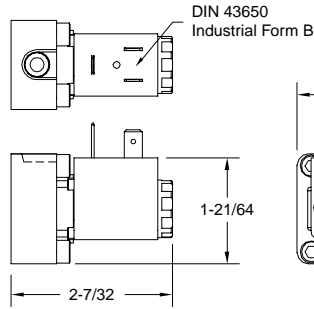
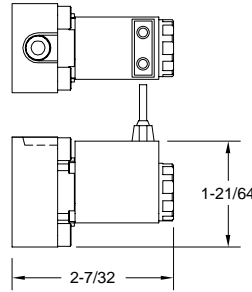


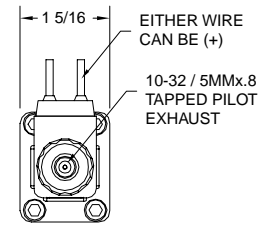
SOLENOID COIL FORMS AVAILABLE



STANDARD SOLENOID OPERATOR



FLYING LEAD SOLENOID OPERATOR



STANDARD & FLYING LEAD SOLENOID COILS

Standard coils are a "DIN 43650" style with 11mm/Industrial Form B connector pin pattern. "DIN" caps are ordered as a separate line item, see page 48 for more information.

"Flying Lead" coils have same characteristics as our standard coils, but have 18" lead wires molded with the coil. To order solenoid valves with this coil type use the suffix "M" (i.e. ESO2M 24 vdc).

Voltages: The chart on the right shows voltages immediately available for the standard solenoid coil. Consult the AAA factory for other voltages which may be available.

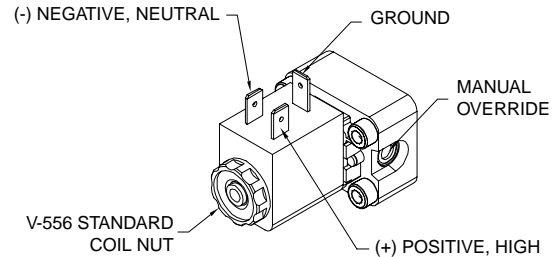
Environmental Ratings: (with mounted plug-in connector per IEC 529 for standard coils) IP 65 (NEMA 4 without structural rating). See page 54 for other solenoid options which may provide the requested environmental rating.

Voltage Tolerance: ±10%.

Operating Temperatures: -4°F to 120°F

Moulding Material: Duroplast/thermoset resin (Duro)

Coil Voltage and Frequency	Pick-Up	Holding
24 volts, 60 Hz	7.1 VA	5.8 VA
48volts, 60 Hz	7.7 VA	6.2 VA
120 volts, 60 Hz	7.8 VA	6.3 VA
240 volts, 60 Hz	7.8 VA	6.3 VA
12 volts D-C		4.6 Watts
24 volts D-C		4.8 Watts
60 volts D-C		4.3 Watts



SOLENOID TERMINAL DEFINITIONS

INTRINSICALLY SAFE SOLENOID COIL

These coils are approved according to EN 50 020 resp. DIN VDE 0170/0171 part 5. This coil is a "ISO 4400" din style pin pattern. A non-indicator, 1/2" conduit style din cap provided. Consult factory for optional din caps.

To order solenoid valves with this coil type use the suffix "A" (i.e. ESO2A 24 vdc). Intrinsically safe coils can not be placed on our standard solenoid assembly. This coil must be used with the proper operator and intrinsically safe barrier to function correctly. Consult factory for approved barrier manufacturers.

REQUIRED BARRIER INFORMATION:

Electrical Characteristics: 21.6 - 28 VDC

Max. Safe Valve: 28 VDC, 115 mA, 1.6W

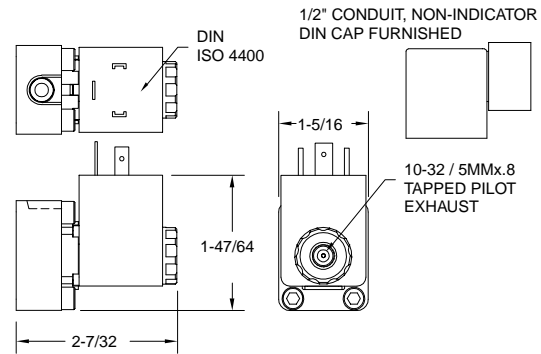
COIL INFORMATION:

Electrical Characteristics: ≥37mA, 275 Ohm ± 8%

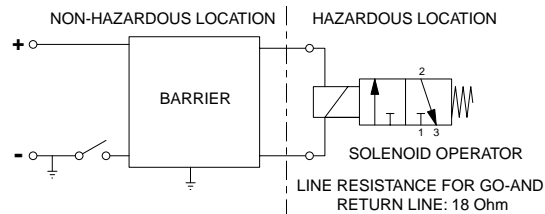
Environmental Ratings: (with mounted plug-in connector per IEC 529) IP 65 (NEMA 4 without structural rating).

Operating Temperatures: -4°F to 120°F

Moulding Material: Duroplast/thermoset resin (Duro)



INTRINSICALLY SAFE SOLENOID OPERATOR



We can supply other coil styles. Please consult factory if you need our coil in "ISO 4400", "ISO 6952", or "M12 with LED".