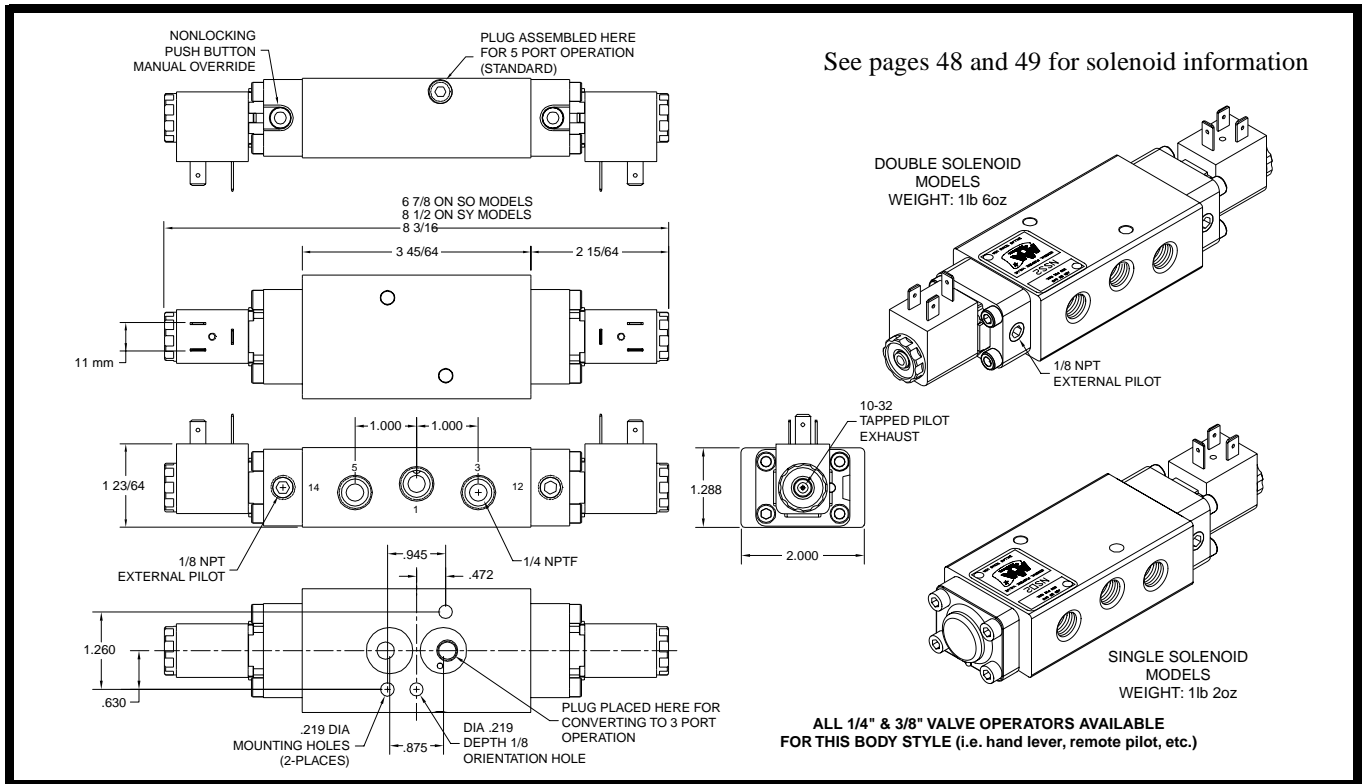


# NAMUR DIRECT MOUNT SOLENOID VALVES

1/4" SIZE AIR VALVE, SOLENOID CONTROLLED, PILOT OPERATED TYPE 4-WAY  
VACUUM TO 250 PSIG AIR



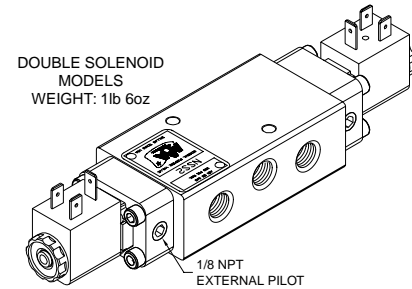
The NAMUR mount is a semi-subplate mounting style that allows rapid valve replacement with reduced plumbing assembly.

Standard models are assembled for "internal pilot operation". They will operate reliably on line pressures from 150 psi down to 25 psi minimum for no spring models NSS and NSR and down to 50 psi on spring return and spring centered models NSO and NSY. External pilot operation (option "Z") must be used in vacuum, low pressure (below minimum psi), high pressure (above 150 psi and less than 250 psi), or 5-Way service applications, see page 46.

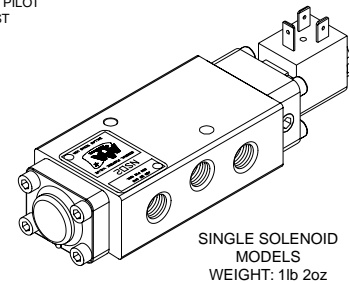
**Cv VALUE.** 1.5

**FLOW PATTERN.** When solenoid on the left (looking at the 3-hole side) is energized, air flow comes out bottom port on the left. See page 45.

See pages 48 and 49 for solenoid information



10-32 TAPPED PILOT EXHAUST



ALL 1/4" & 3/8" VALVE OPERATORS AVAILABLE FOR THIS BODY STYLE (i.e. hand lever, remote pilot, etc.)

## REPLACEMENT SEAL KIT

**ERKV-3.** One kit required for each valve. Includes 6 V-39 Viton body O-rings, 2 EMG3 Buna-N solenoid gaskets, 2 NEG3 composition end cap gaskets, 2 V-565 Buna-N mounting O-rings, 5 V-92 Buna-N subplate O-rings, and 2 V-93 Buna-N subplate pilot O-rings (seals used determined by valve model and style).

**EXTERNAL PILOT OPERATION.** To order a standard solenoid section factory assembled for external pilot operation, add suffix "Z" following the regular model number. Example: NSO2Z, etc.

**CONVERTING TO 3 PORT OPERATION.** Standard models are assembled for "5 port operation". A valve may be converted to operate using only 3 ports. To convert, remove the 5/16"-32 plug on side of body and install same plug into threaded bottom port.

## MODEL SELECTION — SOLENOID VALVES

Select basic model. See pages 48 and 49 for solenoid information. See page 50 for optional spools.

MODEL NUMBER	DESCRIPTION	SYMBOL
<b>NSO2</b>	Single solenoid, 2-position, spring return. Spool returns to original position when solenoid is de-energized.	
<b>NSR2</b>	Single solenoid, 2-position, pilot pressure returned spool. Pilot pressure from an external 3-way valve returns spool to its original position.	
<b>NSS2</b>	Double solenoid, 2-position, no springs. Spool shifts and remains shifted when one solenoid or the other is momentarily or continuously energized.	
<b>NSY2</b>	Double solenoid, 3-position, spring centered, closed center spool. All ports are blocked when both solenoids are de-energized. See page 50 for other spools.	